

YOUR NAME HERE:

KEY

Quiz 6.

EEC180A

DIGITAL SYSTEMS I

Spring 2000

1. Write logical expressions for functions  $F_0, F_1, F_2, F_3$

(this is your textbook example, page 235)

**MULTIPLE-OUTPUT NETWORKS**

**235**

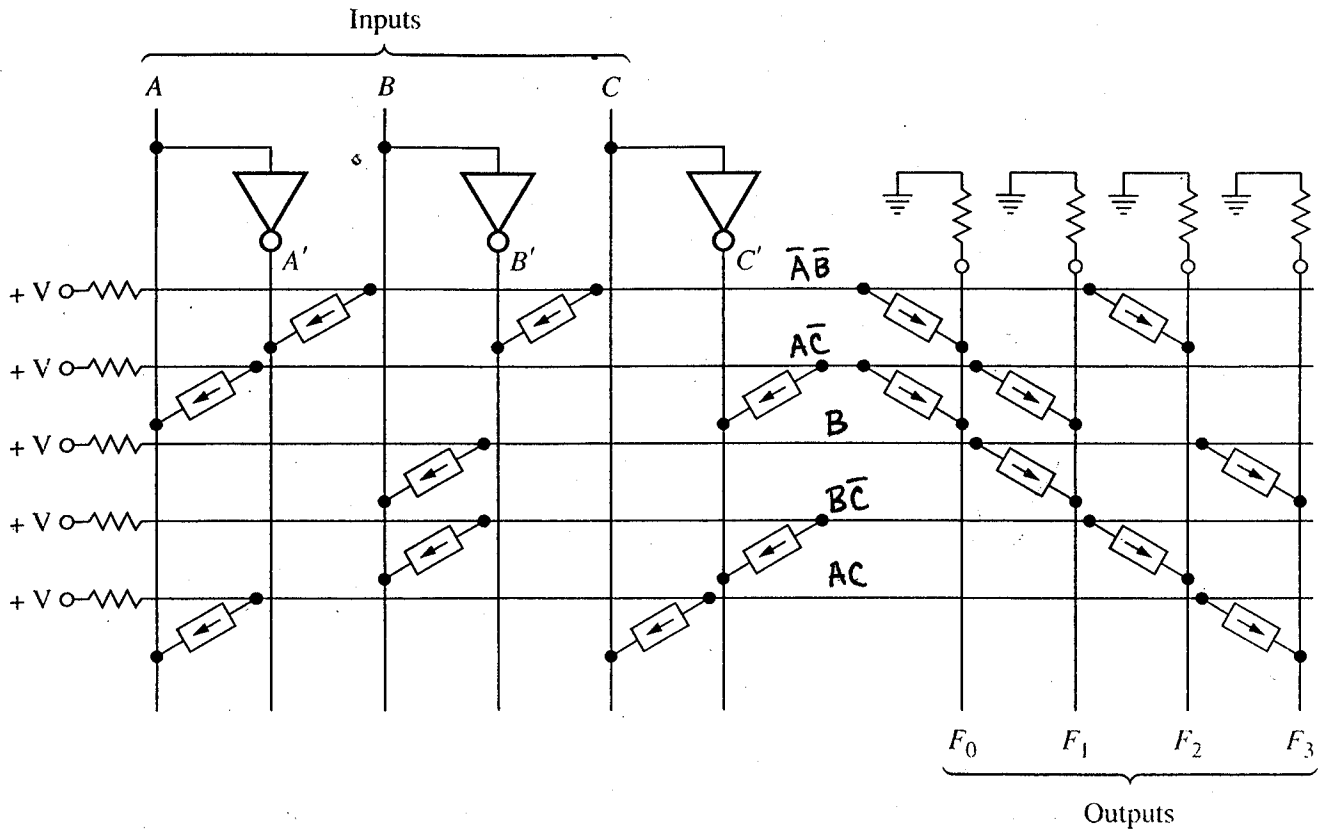


Figure 9-27  
PLA with 3 Inputs, 5 Product Terms,  
and 4 Outputs

$$F_0 = \bar{A}B + A\bar{C}$$

$$F_1 = A\bar{C} + B$$

$$F_2 = \bar{A}B + B\bar{C}$$

$$F_3 = B + AC$$