

Quiz-2.

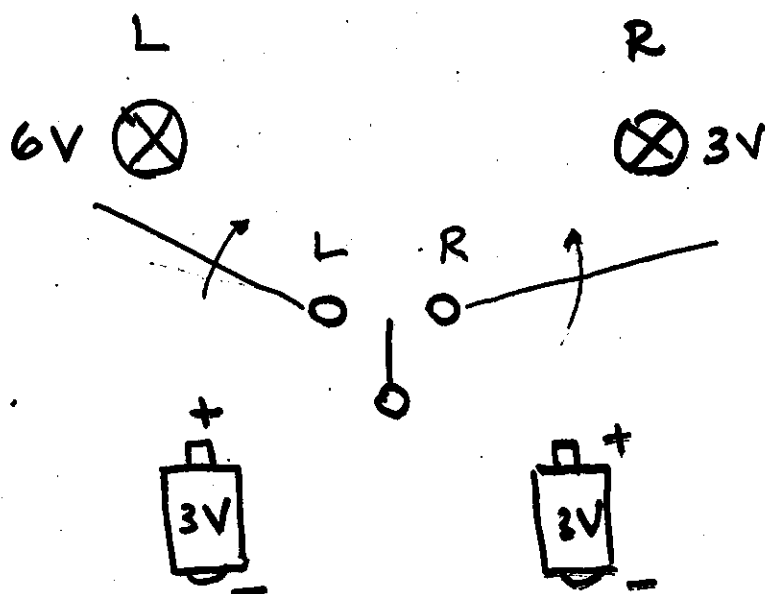
EEEC180A

DIGITAL SYSTEMS I

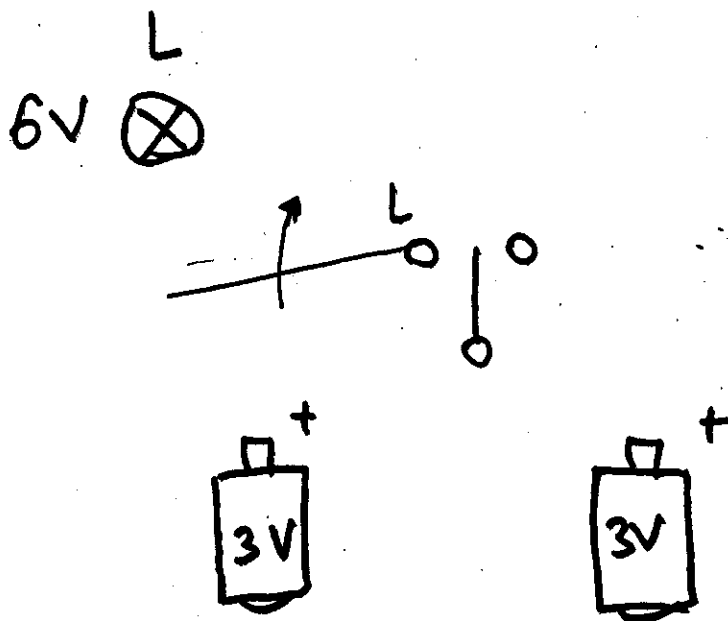
Spring 2000

Prof. Vojin G. Oklobdzija

Problem 1: Complete the wiring diagram for the circuit bellow. When the switch is in the L position the L light is ON. When the switch is in the R position the R light is ON. Please note that L light bulb requires 6V for its operation while the R bulb requires 3V and it will burn if 6V is applied to it.

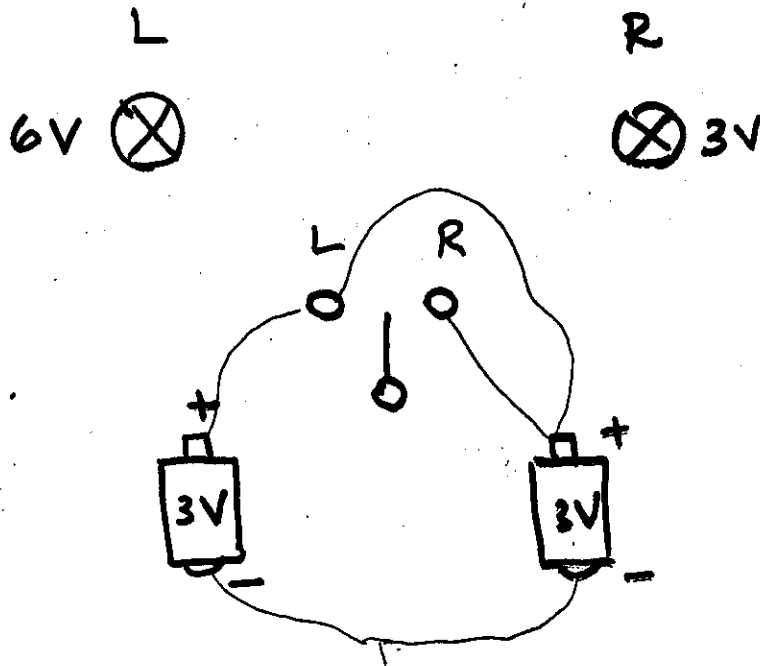


Problem 2: Complete the wiring diagram for the given circuit. When the switch is in the L position the light L should be ON.

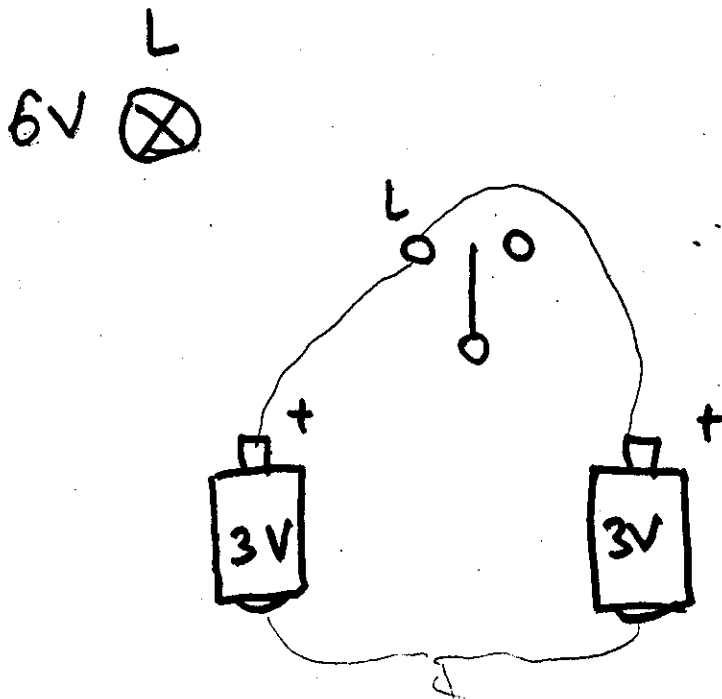


Prof. Vojin G. Oklobdzija

Problem 1: Complete the wiring diagram for the circuit below. When the switch is in the L position the L light is ON. When the switch is in the R position the R light is ON. Please note that L light bulb requires 6V for its operation while the R bulb requires 3V and it will burn if 6V is applied to it.



Problem 2: Complete the wiring diagram for the given circuit. When the switch is in the L position the light L should be ON.



Quiz-2.

EEC 180A

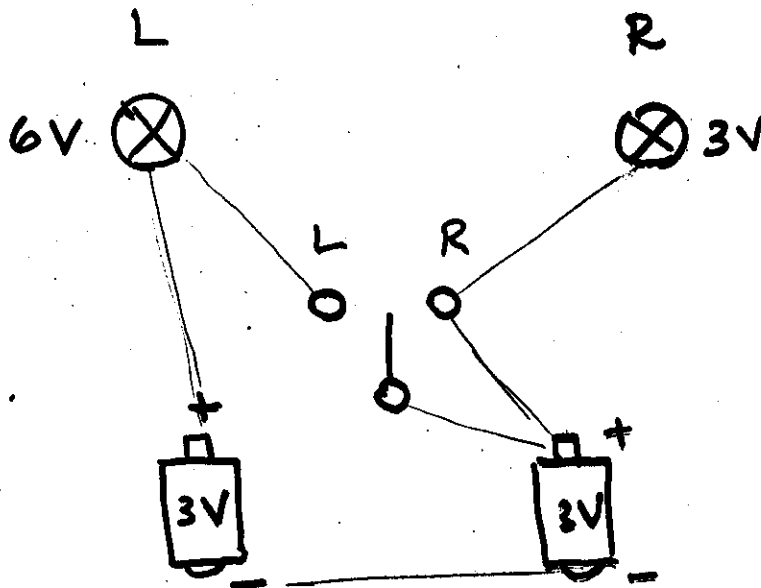
EEC180A

DIGITAL SYSTEMS I

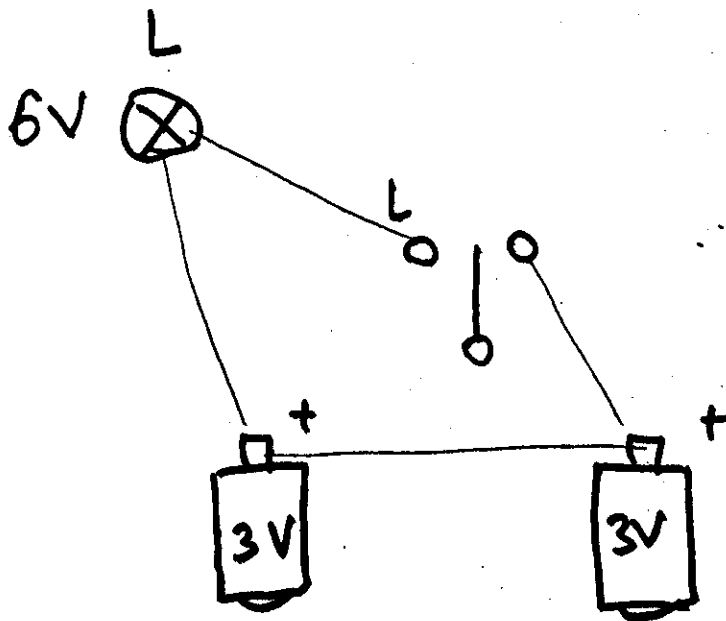
Spring 2000

Prof. Vojin G. Oklobdzija

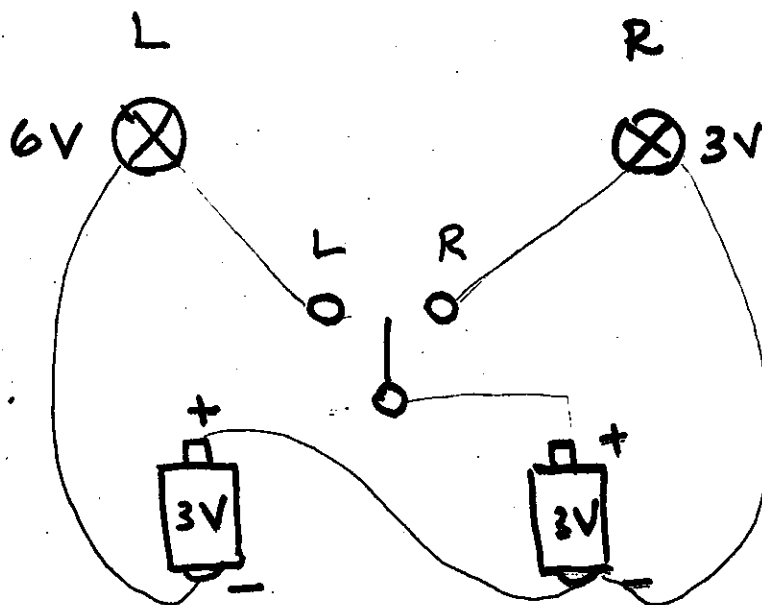
Problem 1: Complete the wiring diagram for the circuit below. When the switch is in the L position the L light is ON. When the switch is in the R position the R light is ON. Please note that L light bulb requires 6V for its operation while the R bulb requires 3V and it will burn if 6V is applied to it.



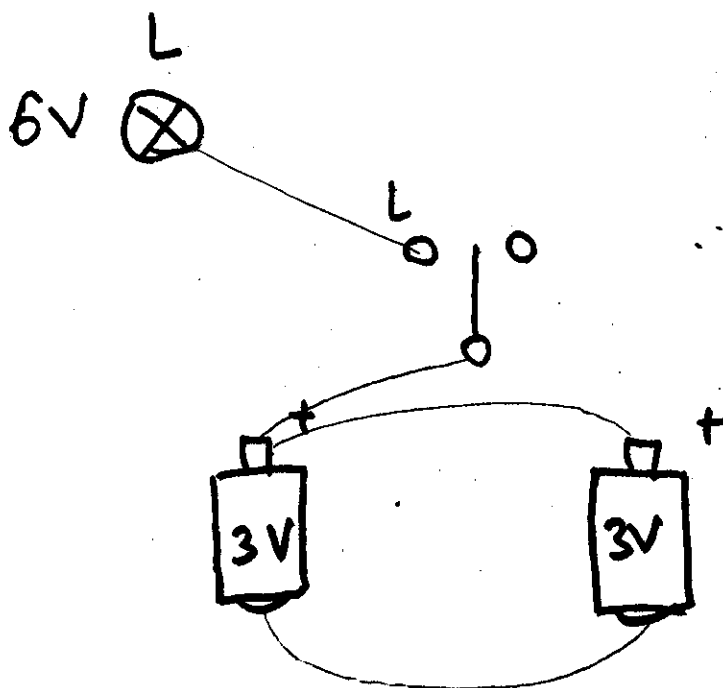
Problem 2: Complete the wiring diagram for the given circuit. When the switch is in the L position the light L should be ON.



Problem 1: Complete the wiring diagram for the circuit-bellow. When the switch is in the L position the L light is ON. When the switch is in the R position the R light is ON. Please note that L light bulb requires 6V for its operation while the R bulb requires 3V and it will burn if 6V is applied to it.

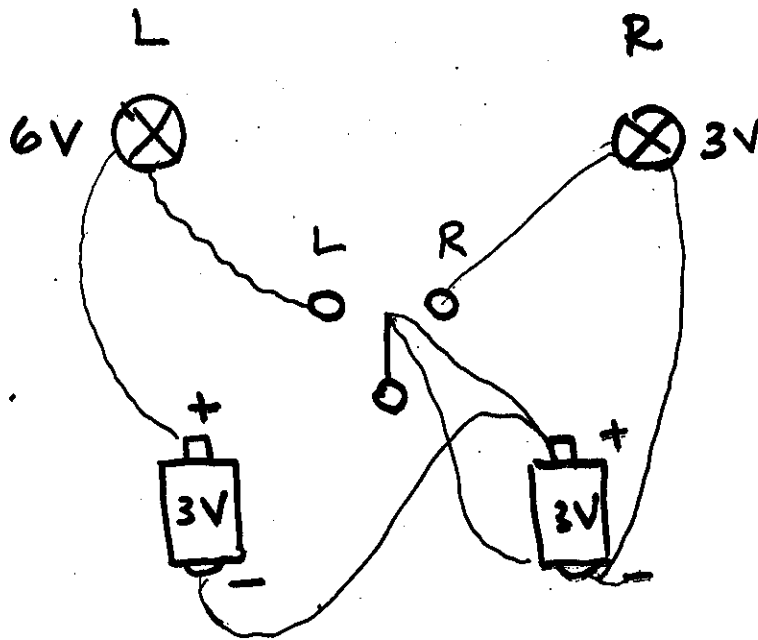


Problem 2: Complete the wiring diagram for the given circuit. When the switch is in the L position the light L should be ON.

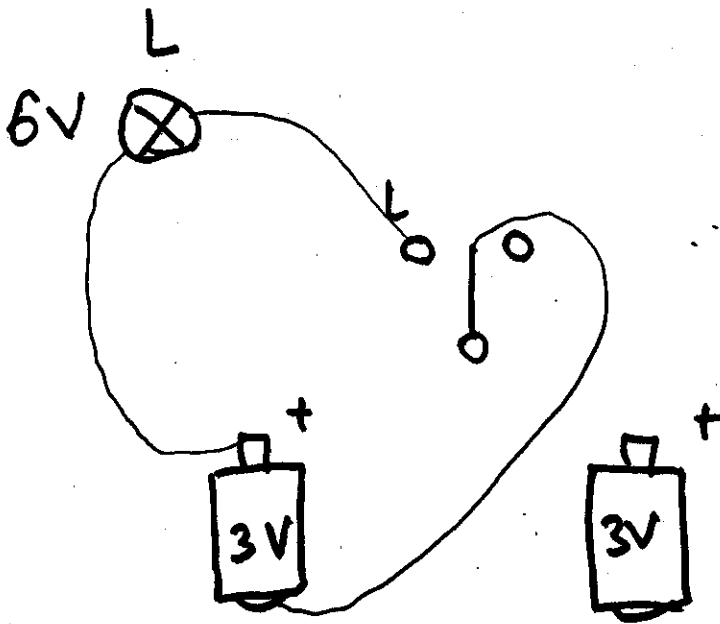


Prof. Vojin G. Oklobdzija

Problem 1: Complete the wiring diagram for the circuit below. When the switch is in the L position the L light is ON. When the switch is in the R position the R light is ON. Please note that L light bulb requires 6V for its operation while the R bulb requires 3V and it will burn if 6V is applied to it.

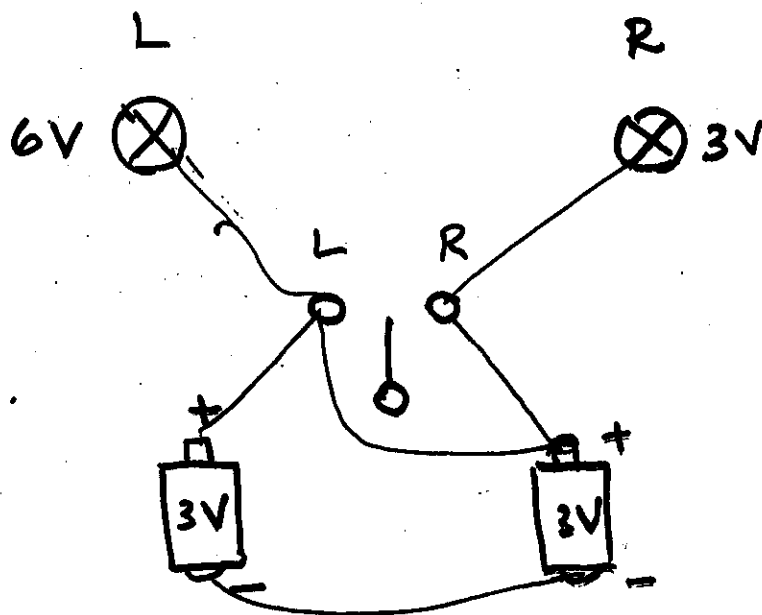


Problem 2: Complete the wiring diagram for the given circuit. When the switch is in the L position the light L should be ON.

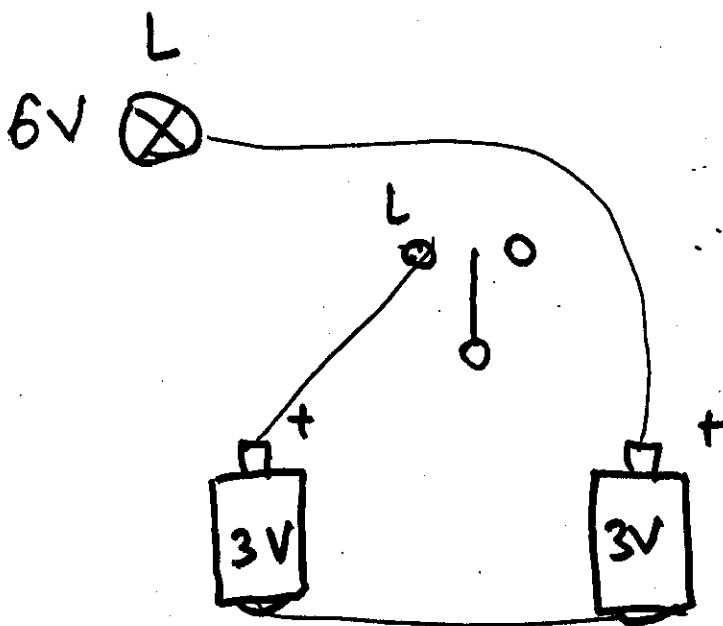


Prof. Vojin G. Oklobdzija

Problem 1: Complete the wiring diagram for the circuit bellow. When the switch is in the L position the L light is ON. When the switch is in the R position the R light is ON. Please note that L light bulb requires 6V for its operation while the R bulb requires 3V and it will burn if 6V is applied to it.



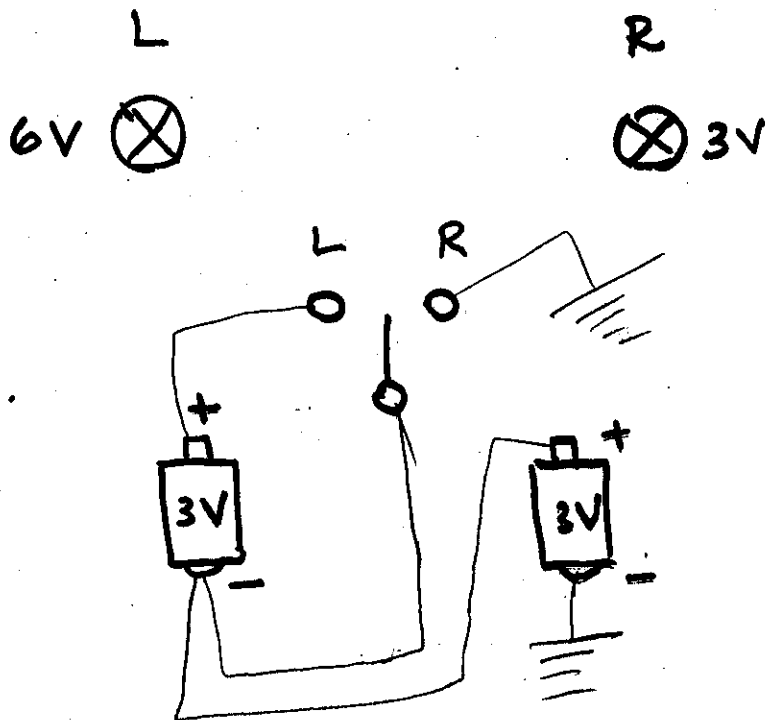
Problem 2: Complete the wiring diagram for the given circuit. When the switch is in the L position the light L should be ON.



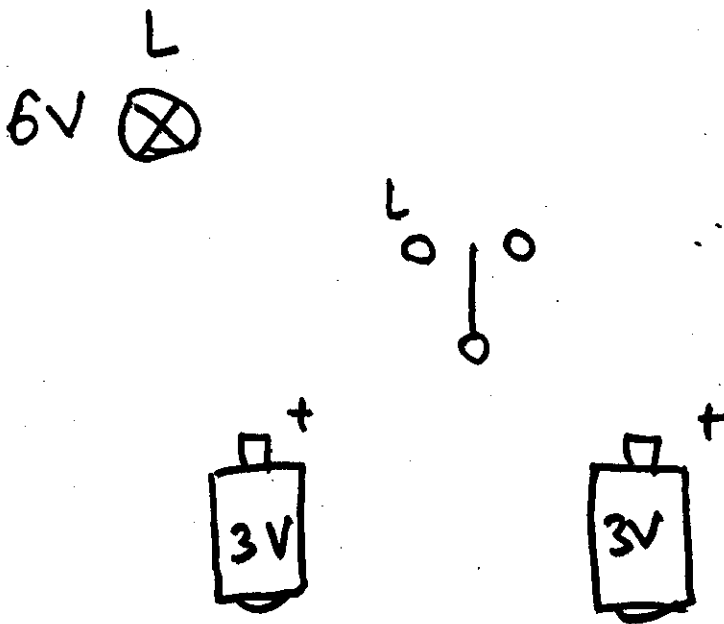
Quiz-2.

Prof. Vojin G. Oklobdzija

Problem 1: Complete the wiring diagram for the circuit below. When the switch is in the L position the L light is ON. When the switch is in the R position the R light is ON. Please note that L light bulb requires 6V for its operation while the R bulb requires 3V and it will burn if 6V is applied to it.



Problem 2: Complete the wiring diagram for the given circuit. When the switch is in the L position the light L should be ON.



Quiz-2.

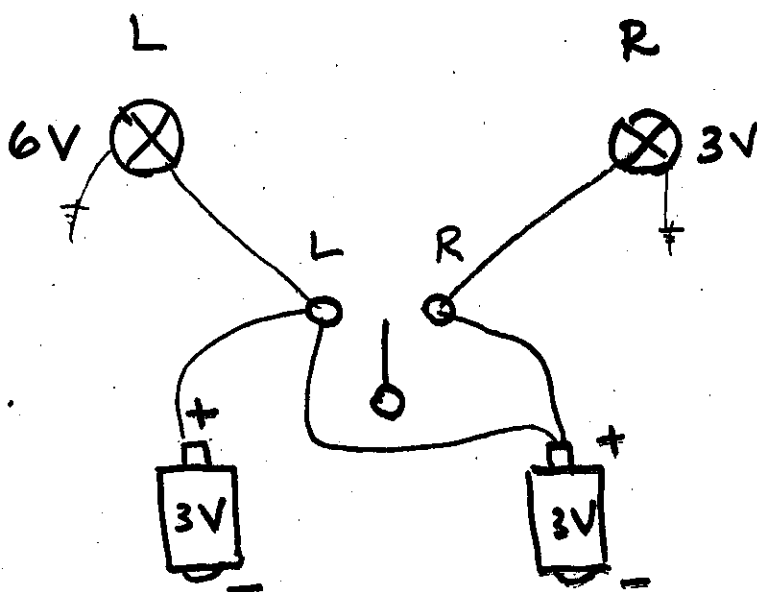
EEEC180A

DIGITAL SYSTEMS I

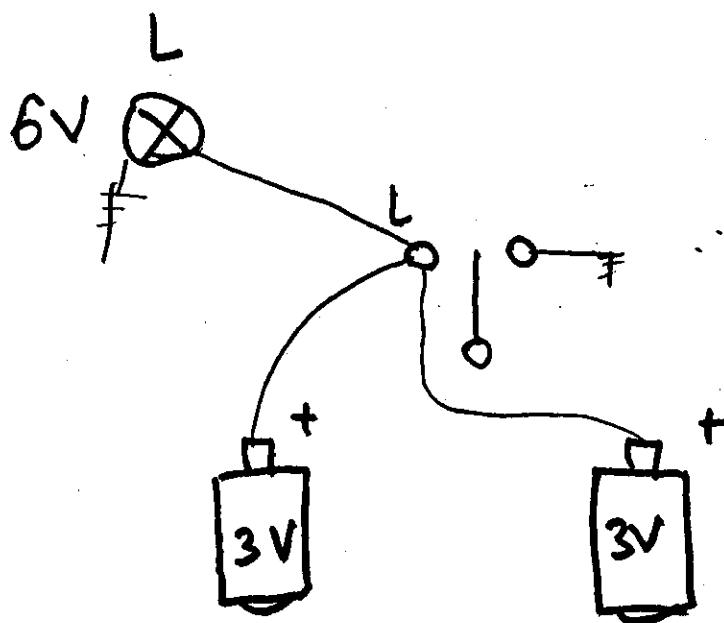
Spring 2000

Prof. Vojin G. Oklobdzija

Problem 1: Complete the wiring diagram for the circuit below. When the switch is in the L position the L light is ON. When the switch is in the R position the R light is ON. Please note that L light bulb requires 6V for its operation while the R bulb requires 3V and it will burn if 6V is applied to it.

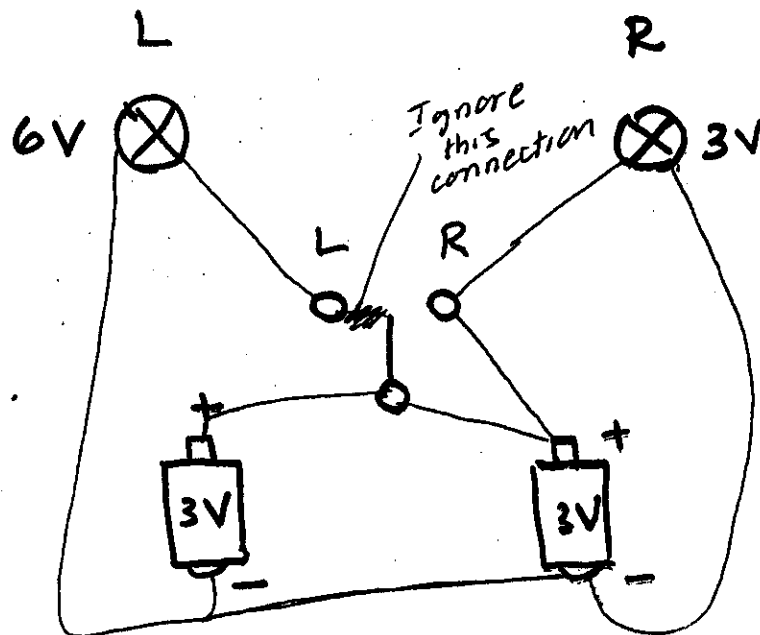


Problem 2: Complete the wiring diagram for the given circuit. When the switch is in the L position the light L should be ON.

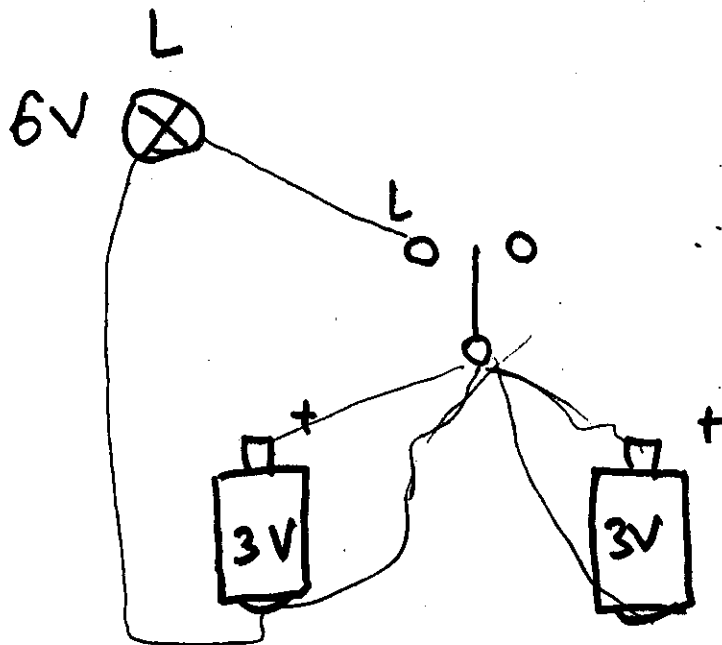


Prof. Vojin G. Oklobdzija

Problem 1: Complete the wiring diagram for the circuit below. When the switch is in the L position the L light is ON. When the switch is in the R position the R light is ON. Please note that L light bulb requires 6V for its operation while the R bulb requires 3V and it will burn if 6V is applied to it.

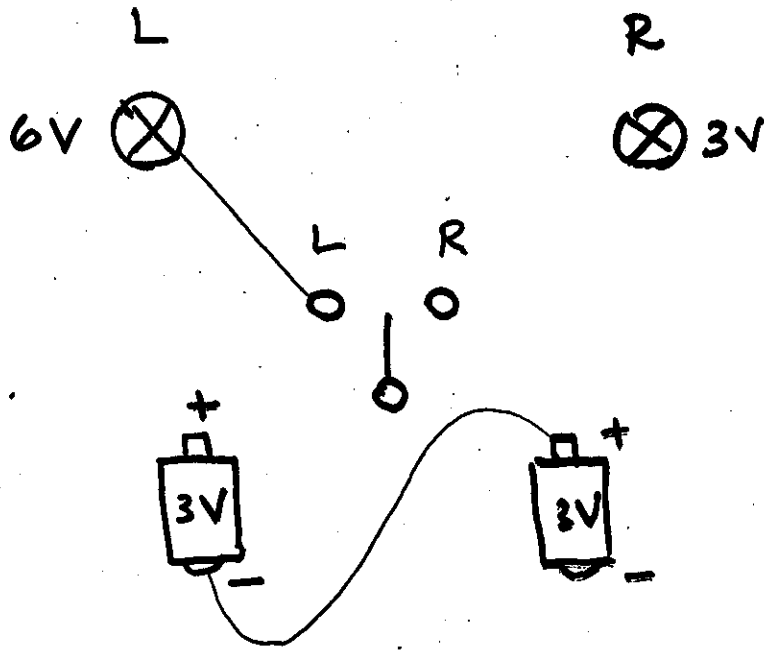


Problem 2: Complete the wiring diagram for the given circuit. When the switch is in the L position the light L should be ON.

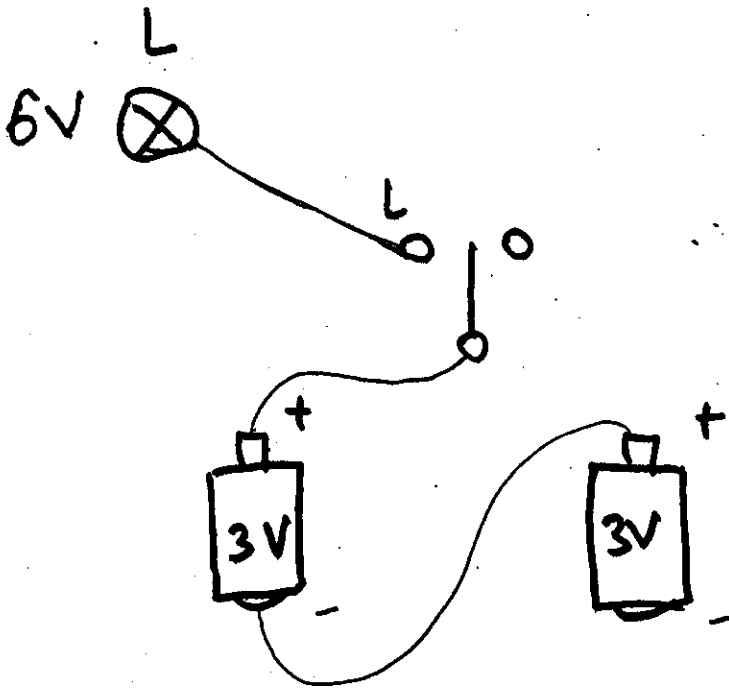


Prof. Vojin G. Oklobdzija

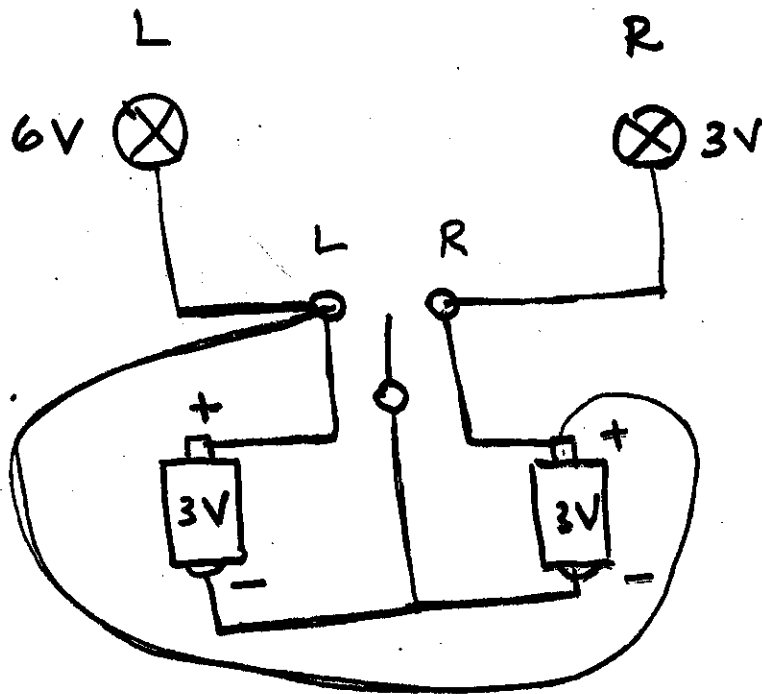
Problem 1: Complete the wiring diagram for the circuit bellow. When the switch is in the L position the L light is ON. When the switch is in the R position the R light is ON. Please note that L light bulb requires 6V for its operation while the R bulb requires 3V and it will burn if 6V is applied to it.



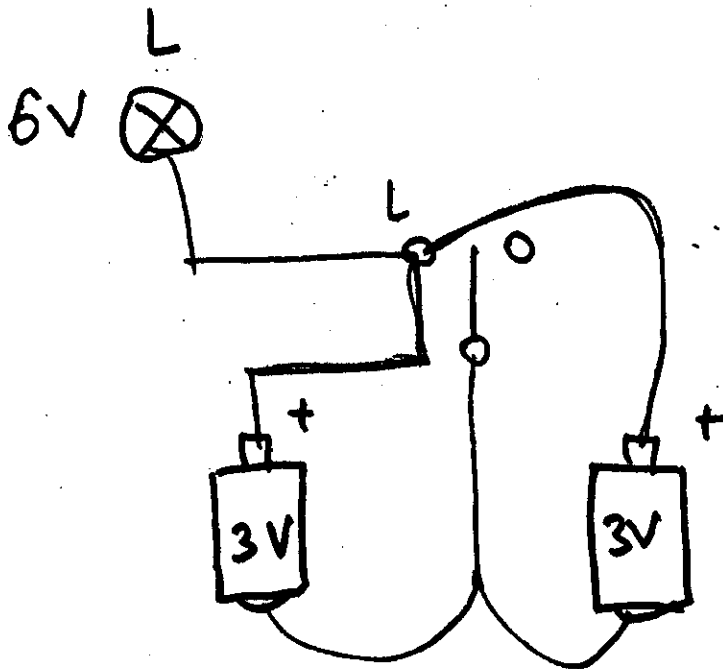
Problem 2: Complete the wiring diagram for the given circuit. When the switch is in the L position the light L should be ON.



Problem 1: Complete the wiring diagram for the circuit below. When the switch is in the L position the L light is ON. When the switch is in the R position the R light is ON. Please note that L light bulb requires 6V for its operation while the R bulb requires 3V and it will burn if 6V is applied to it.

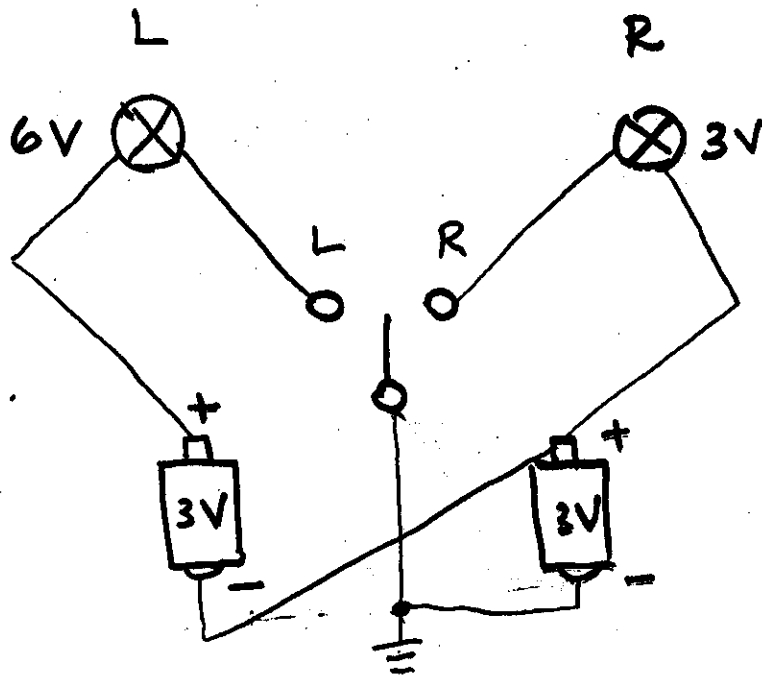


Problem 2: Complete the wiring diagram for the given circuit. When the switch is in the L position the light L should be ON.

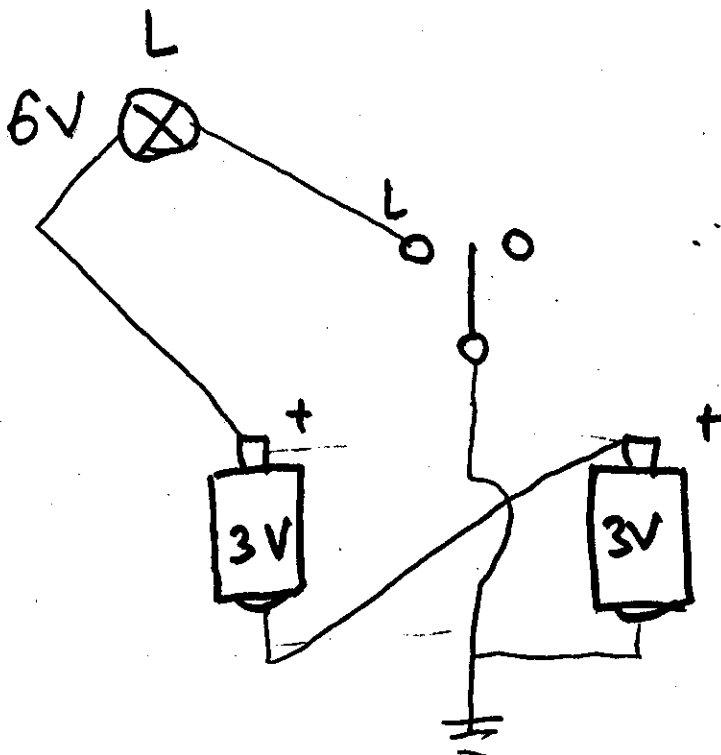


Prof. Vojin G. Oklobdzija

Problem 1: Complete the wiring diagram for the circuit bellow. When the switch is in the L position the L light is ON. When the switch is in the R position the R light is ON. Please note that L light bulb requires 6V for its operation while the R bulb requires 3V and it will burn if 6V is applied to it.



Problem 2: Complete the wiring diagram for the given circuit. When the switch is in the L position the light L should be ON.



Quiz - 2.

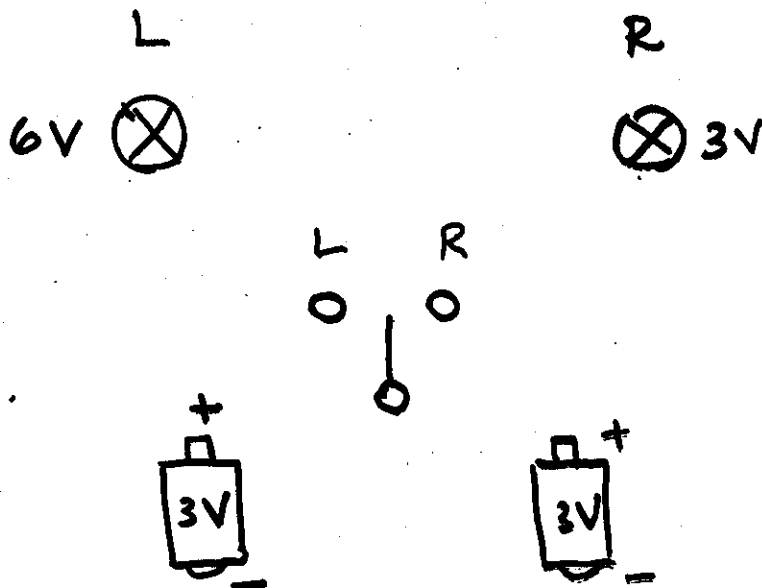
EEC180A

DIGITAL SYSTEMS I

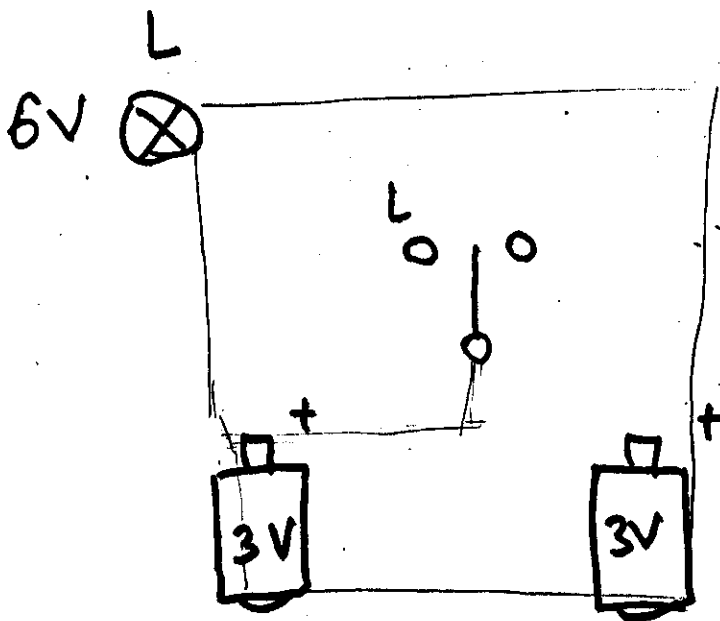
Spring 2000

Prof. Vojin G. Oklobdzija

Problem 1: Complete the wiring diagram for the circuit below. When the switch is in the L position the L light is ON. When the switch is in the R position the R light is ON. Please note that L light bulb requires 6V for its operation while the R bulb requires 3V and it will burn if 6V is applied to it.

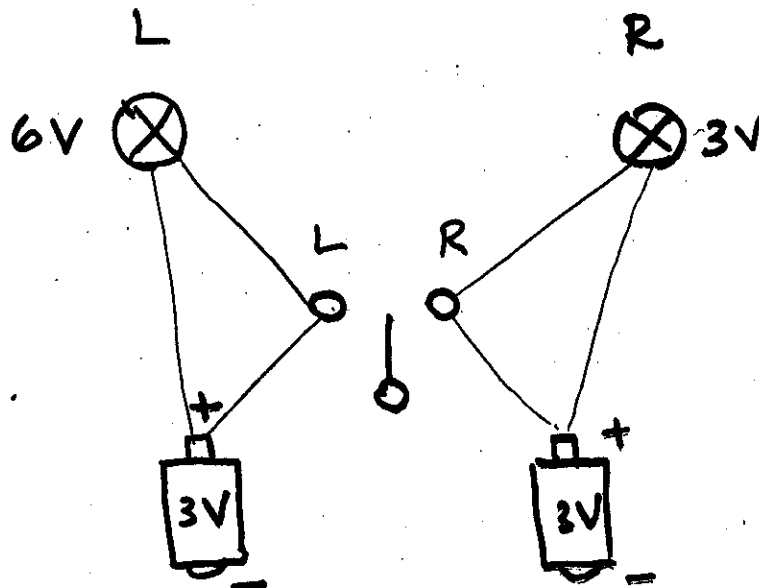


Problem 2: Complete the wiring diagram for the given circuit. When the switch is in the L position the light L should be ON.

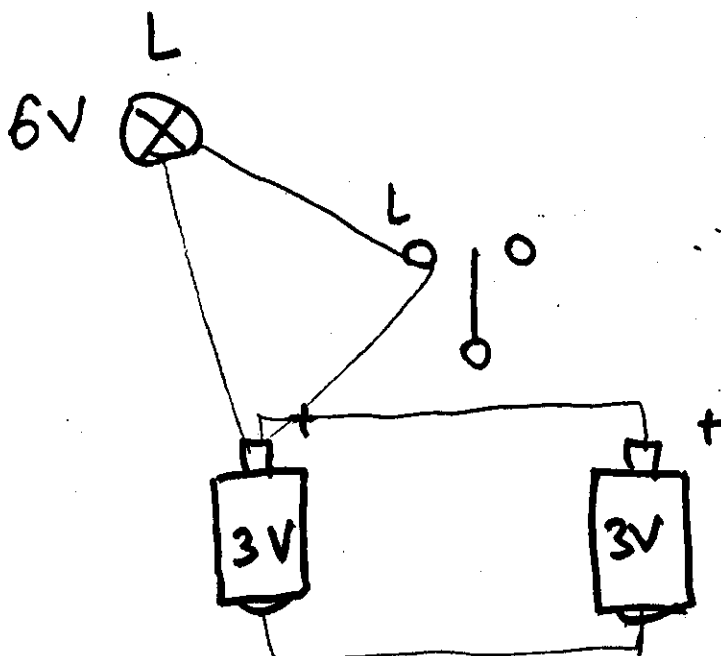


Prof. Vojin G. Oklobdzija

Problem 1: Complete the wiring diagram for the circuit below. When the switch is in the L position the L light is ON. When the switch is in the R position the R light is ON. Please note that L light bulb requires 6V for its operation while the R bulb requires 3V and it will burn if 6V is applied to it.

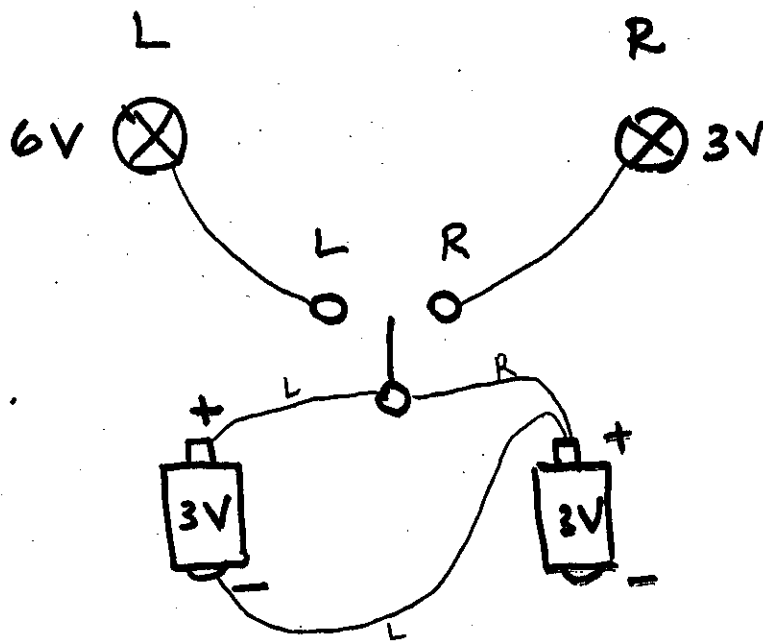


Problem 2: Complete the wiring diagram for the given circuit. When the switch is in the L position the light L should be ON.

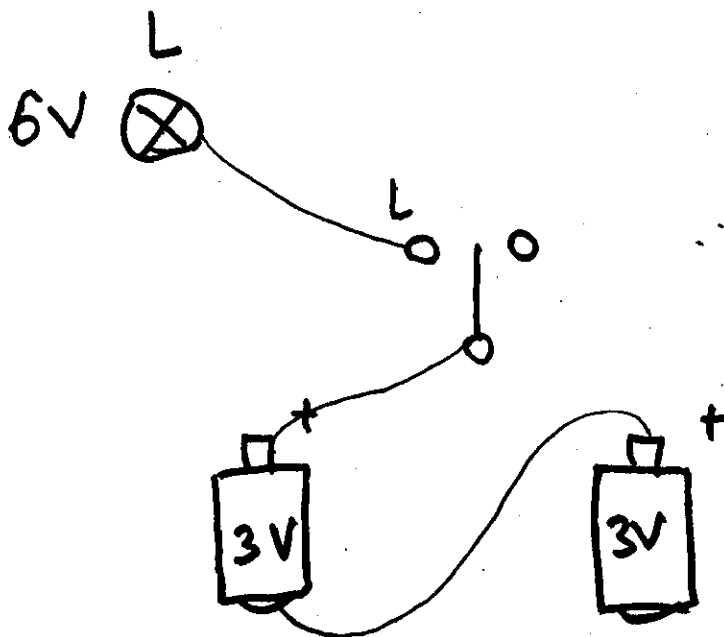


Prof. Vojin G. Oklobdzija

Problem 1: Complete the wiring diagram for the circuit below. When the switch is in the L position the L light is ON. When the switch is in the R position the R light is ON. Please note that L light bulb requires 6V for its operation while the R bulb requires 3V and it will burn if 6V is applied to it.



Problem 2: Complete the wiring diagram for the given circuit. When the switch is in the L position the light L should be ON.



Quiz - 2.

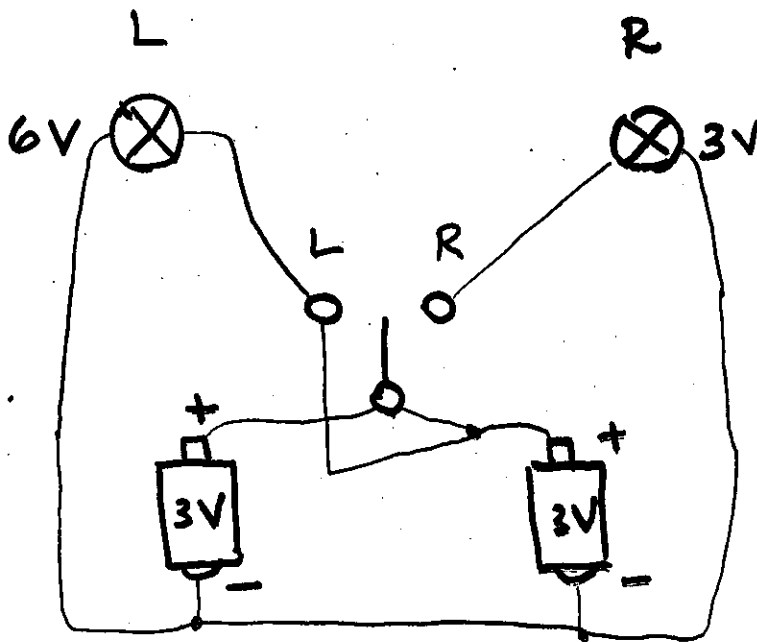
EEC180A

DIGITAL SYSTEMS I

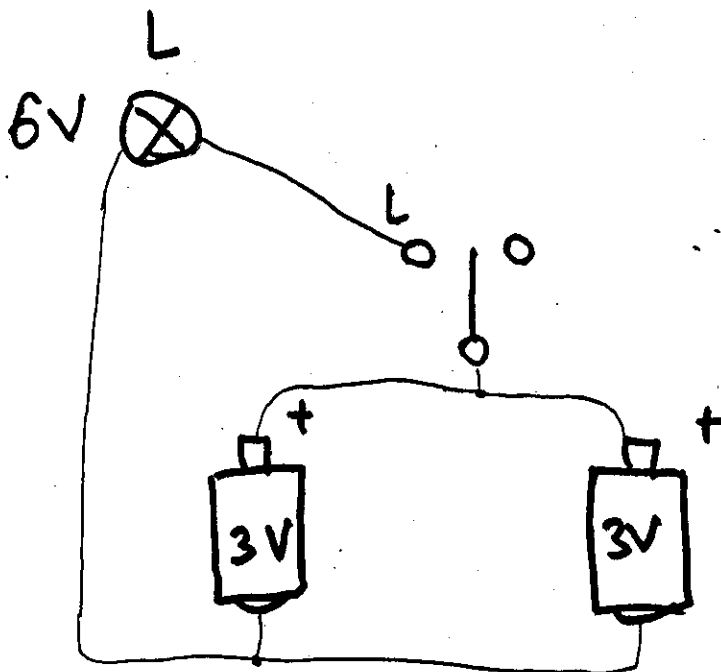
Spring 2000

Prof. Vojin G. Oklobdzija

Problem 1: Complete the wiring diagram for the circuit below. When the switch is in the L position the L light is ON. When the switch is in the R position the R light is ON. Please note that L light bulb requires 6V for its operation while the R bulb requires 3V and it will burn if 6V is applied to it.

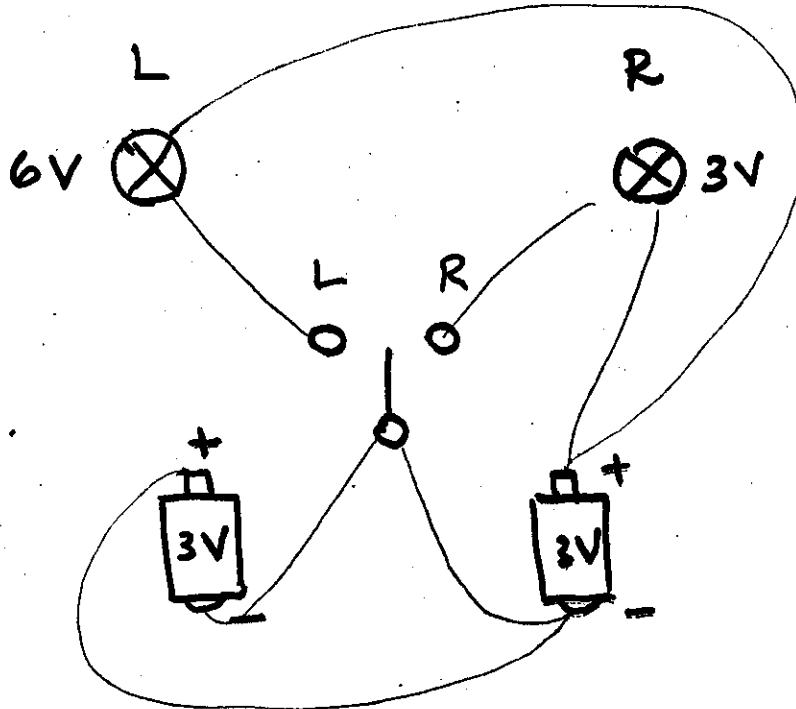


Problem 2: Complete the wiring diagram for the given circuit. When the switch is in the L position the light L should be ON.

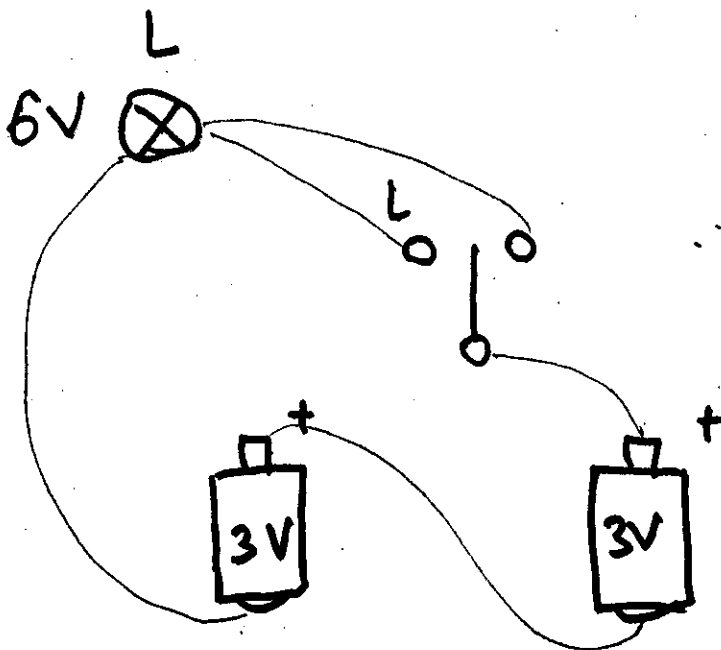


Prof. Vojin G. Oklobdzija

Problem 1: Complete the wiring diagram for the circuit below. When the switch is in the L position the L light is ON. When the switch is in the R position the R light is ON. Please note that L light bulb requires 6V for its operation while the R bulb requires 3V and it will burn if 6V is applied to it.



Problem 2: Complete the wiring diagram for the given circuit. When the switch is in the L position the light L should be ON.



Quiz-2.

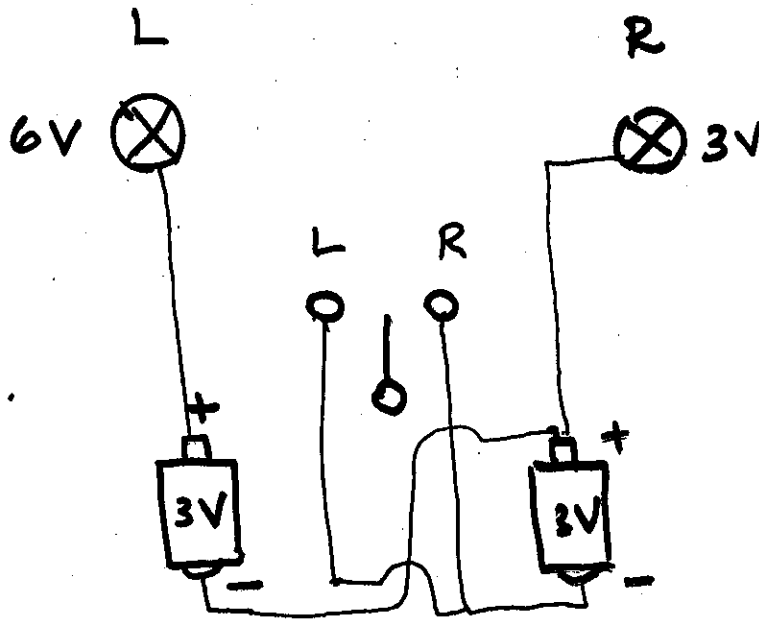
EEEC180A

DIGITAL SYSTEMS I

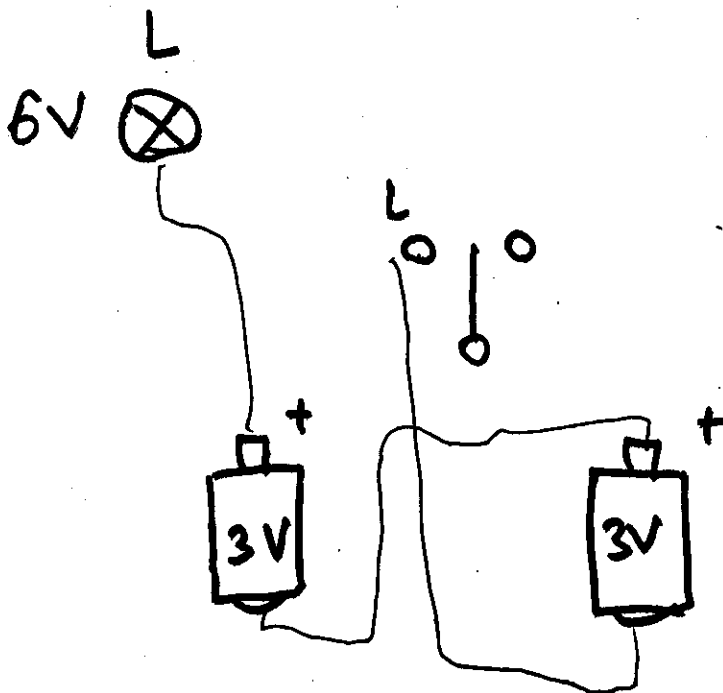
Spring 2000

Prof. Vojin G. Oklobdzija

Problem 1: Complete the wiring diagram for the circuit below. When the switch is in the L position the L light is ON. When the switch is in the R position the R light is ON. Please note that L light bulb requires 6V for its operation while the R bulb requires 3V and it will burn if 6V is applied to it.



Problem 2: Complete the wiring diagram for the given circuit. When the switch is in the L position the light L should be ON.



Quiz-2.

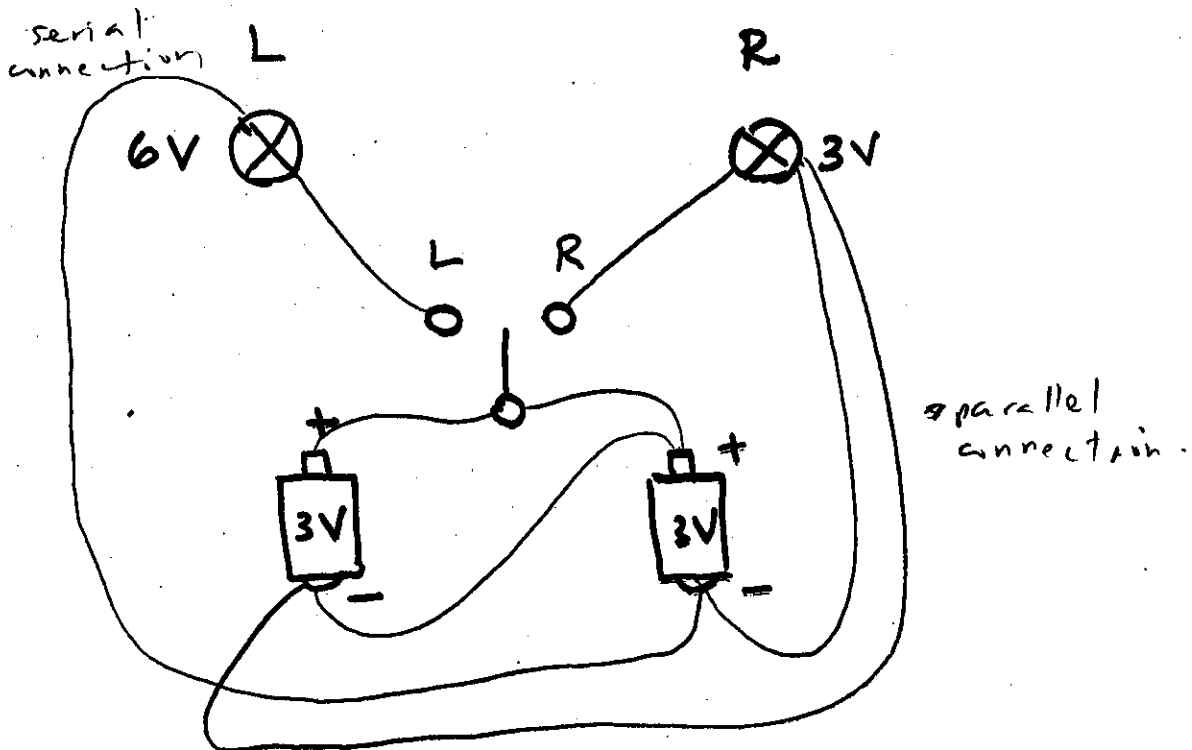
EEC180A

DIGITAL SYSTEMS I

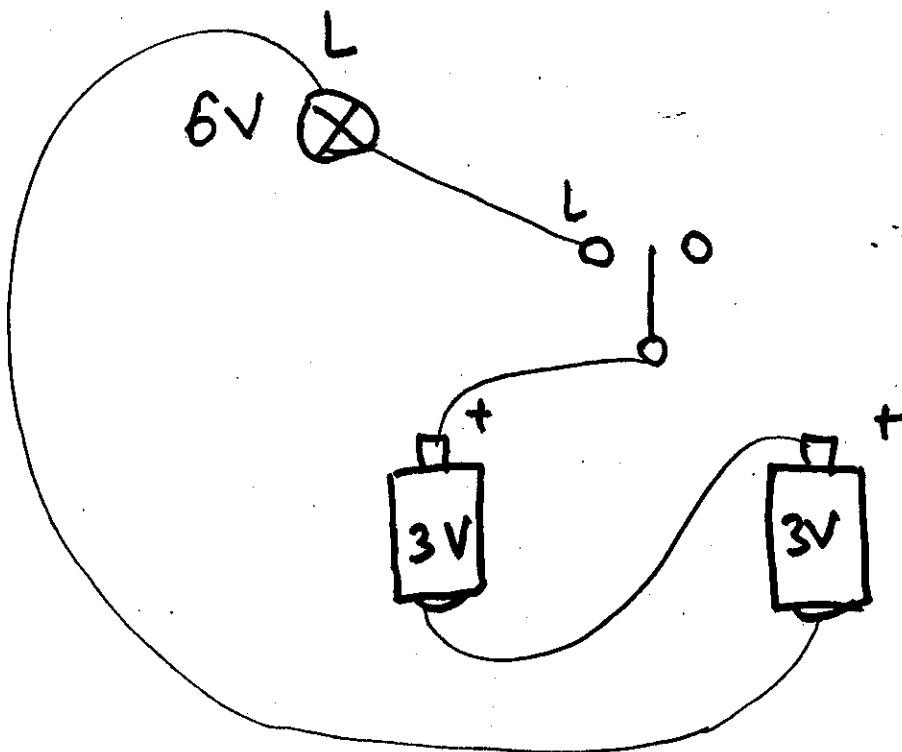
Spring 2000

Prof. Vojin G. Oklobdzija

Problem 1: Complete the wiring diagram for the circuit below. When the switch is in the L position the L light is ON. When the switch is in the R position the R light is ON. Please note that L light bulb requires 6V for its operation while the R bulb requires 3V and it will burn if 6V is applied to it.

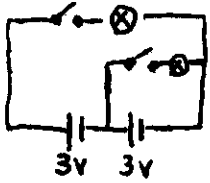
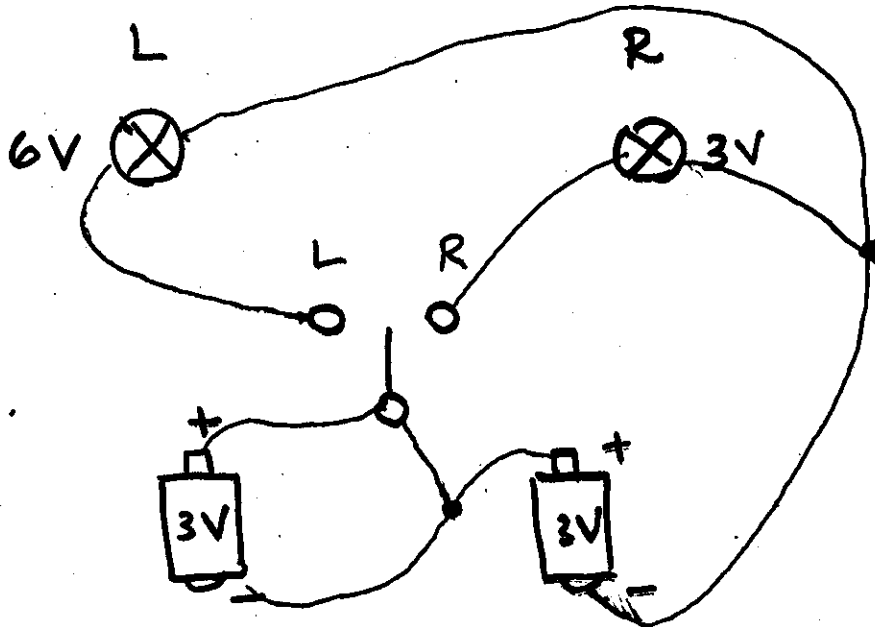


Problem 2: Complete the wiring diagram for the given circuit. When the switch is in the L position the light L should be ON.

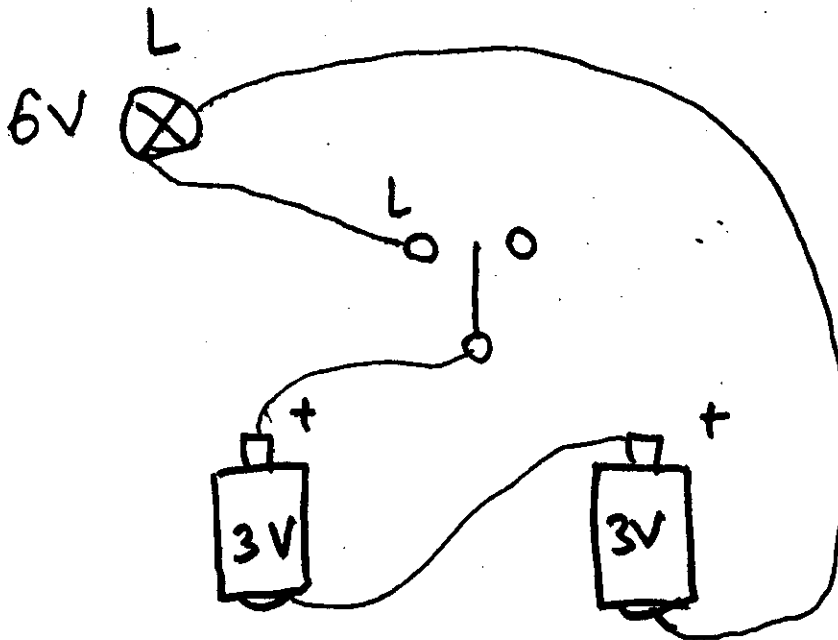


Prof. Vojin G. Oklobdzija

Problem 1: Complete the wiring diagram for the circuit bellow. When the switch is in the L position the L light is ON. When the switch is in the R position the R light is ON. Please note that L light bulb requires 6V for its operation while the R bulb requires 3V and it will burn if 6V is applied to it.

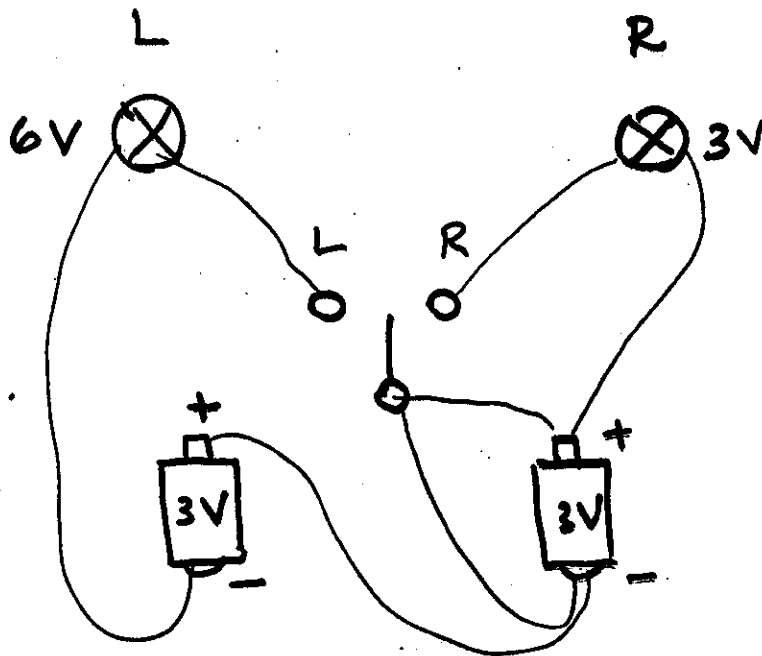


Problem 2: Complete the wiring diagram for the given circuit. When the switch is in the L position the light L should be ON.

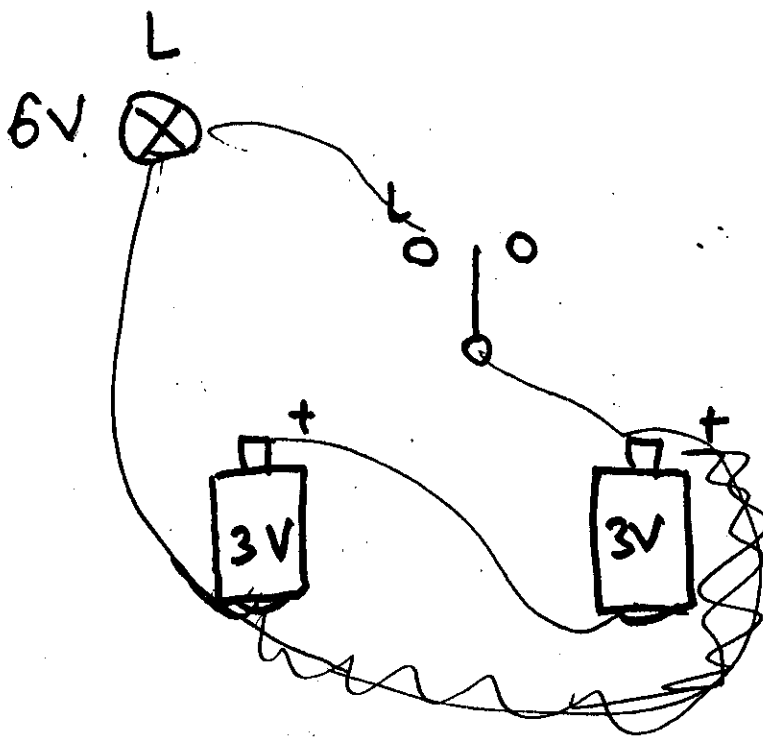


Prof. Vojin G. Oklobdzija

Problem 1: Complete the wiring diagram for the circuit below. When the switch is in the L position the L light is ON. When the switch is in the R position the R light is ON. Please note that L light bulb requires 6V for its operation while the R bulb requires 3V and it will burn if 6V is applied to it.

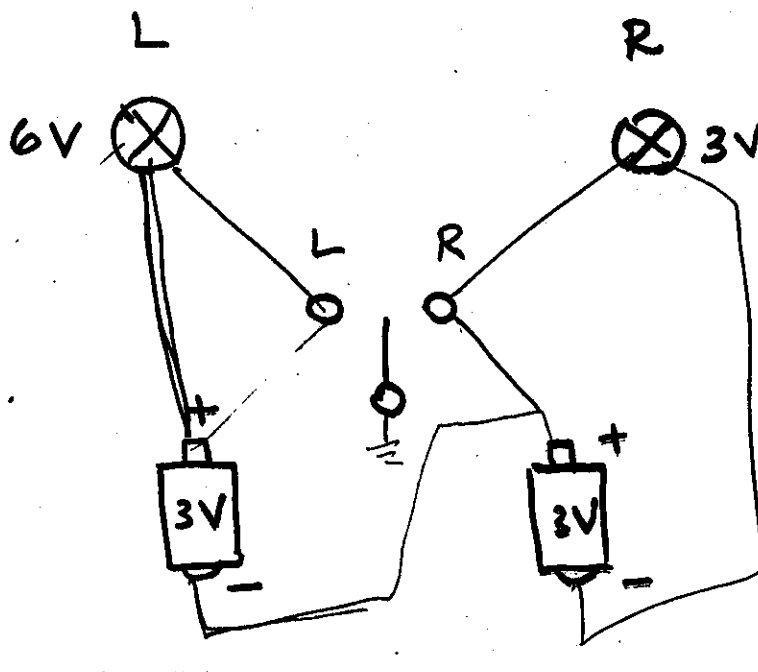


Problem 2: Complete the wiring diagram for the given circuit. When the switch is in the L position the light L should be ON.

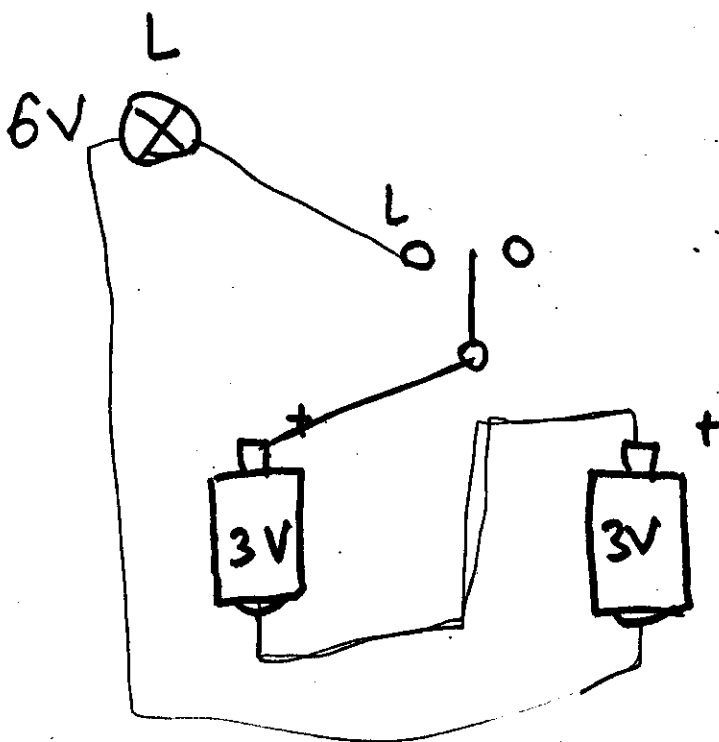


Prof. Vojin G. Oklobdzija

Problem 1: Complete the wiring diagram for the circuit bellow. When the switch is in the L position the L light is ON. When the switch is in the R position the R light is ON. Please note that L light bulb requires 6V for its operation while the R bulb requires 3V and it will burn if 6V is applied to it.

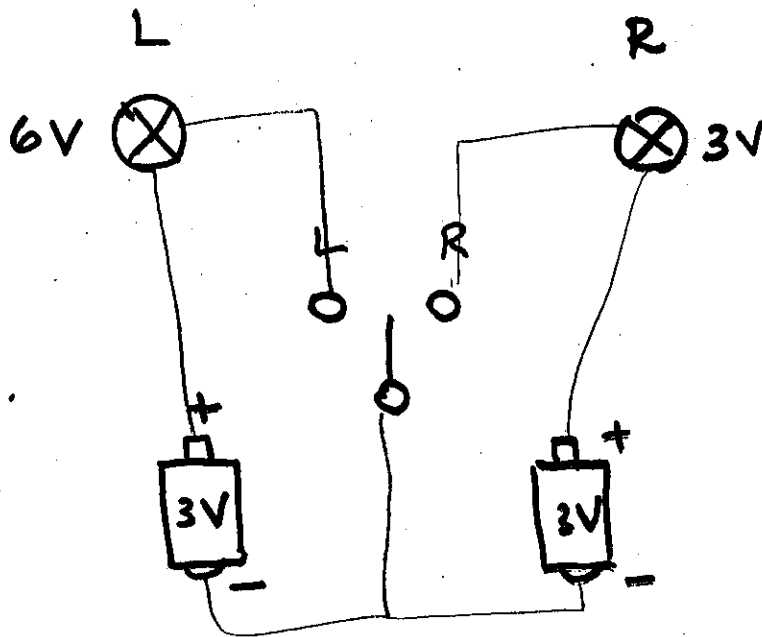


Problem 2: Complete the wiring diagram for the given circuit. When the switch is in the L position the light L should be ON.

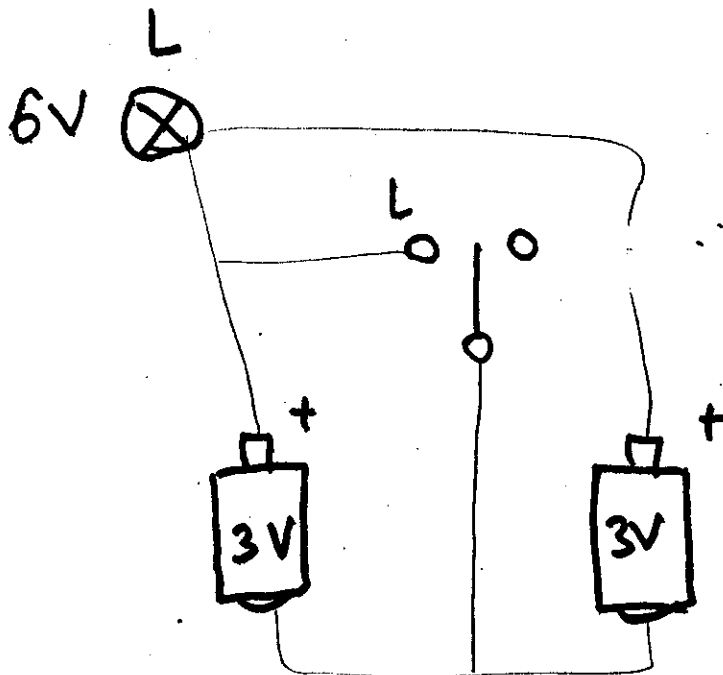


Prof. Vojin G. Oklobdzija

Problem 1: Complete the wiring diagram for the circuit bellow. When the switch is in the L position the L light is ON. When the switch is in the R position the R light is ON. Please note that L light bulb requires 6V for its operation while the R bulb requires 3V and it will burn if 6V is applied to it.

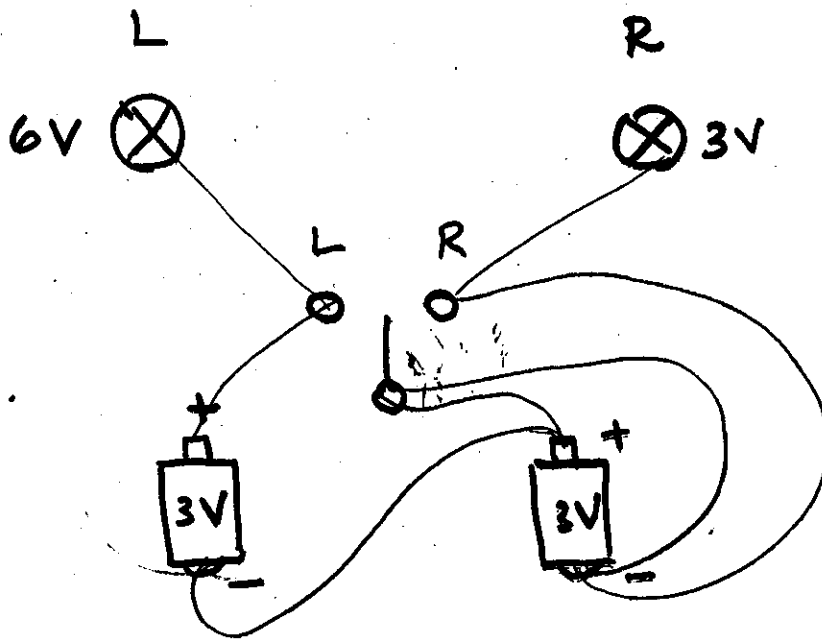


Problem 2: Complete the wiring diagram for the given circuit. When the switch is in the L position the light L should be ON.

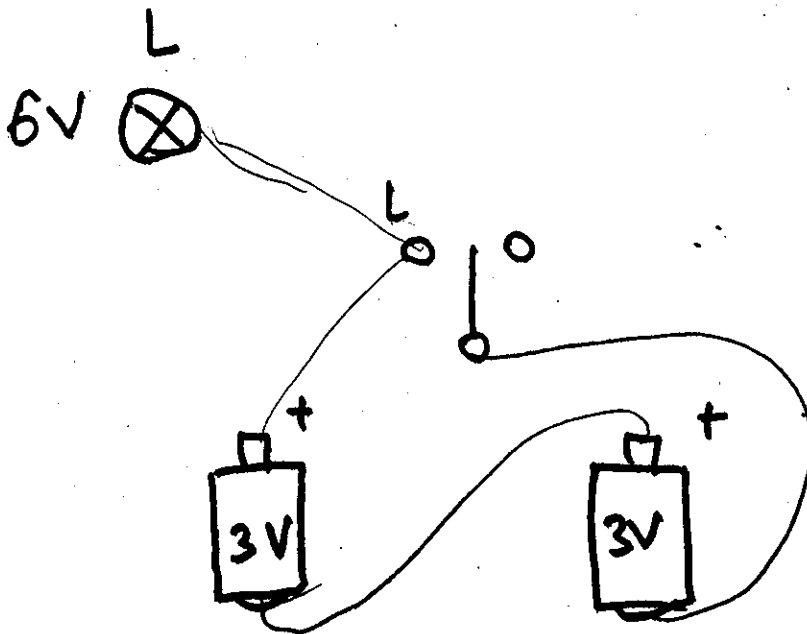


Prof. Vojin G. Oklobdzija

Problem 1: Complete the wiring diagram for the circuit bellow. When the switch is in the L position the L light is ON. When the switch is in the R position the R light is ON. Please note that L light bulb requires 6V for its operation while the R bulb requires 3V and it will burn if 6V is applied to it.



Problem 2: Complete the wiring diagram for the given circuit. When the switch is in the L position the light L should be ON.



Quiz-2.

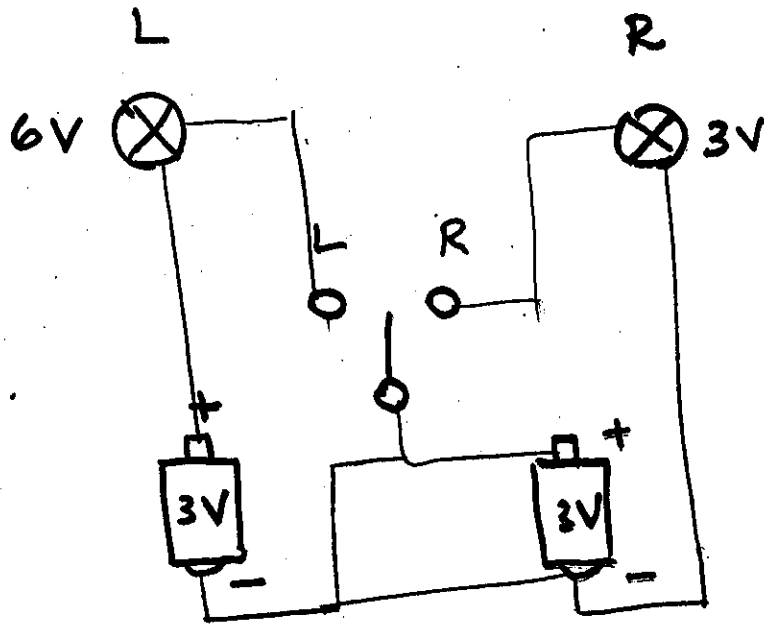
EEEC180A

DIGITAL SYSTEMS I

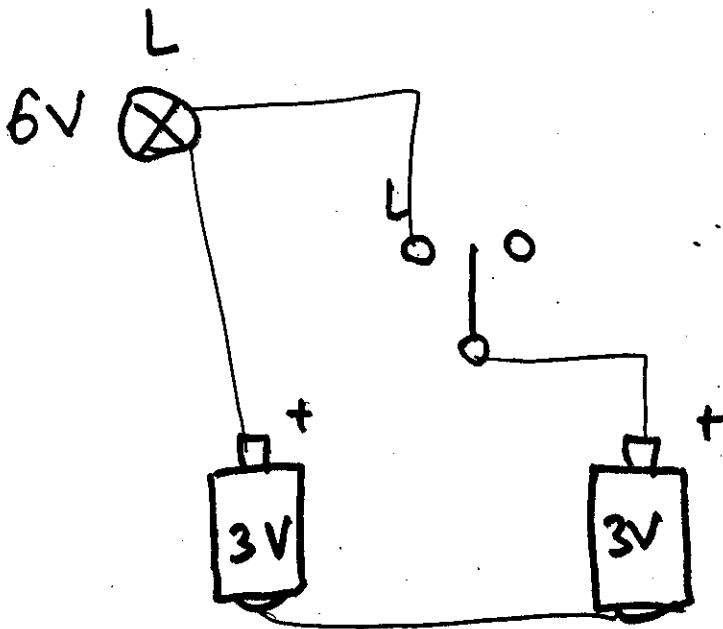
Spring 2000

Prof. Vojin G. Oklobdzija

Problem 1: Complete the wiring diagram for the circuit bellow. When the switch is in the L position the L light is ON. When the switch is in the R position the R light is ON. Please note that L light bulb requires 6V for its operation while the R bulb requires 3V and it will burn if 6V is applied to it.



Problem 2: Complete the wiring diagram for the given circuit. When the switch is in the L position the light L should be ON.



Quiz-2.

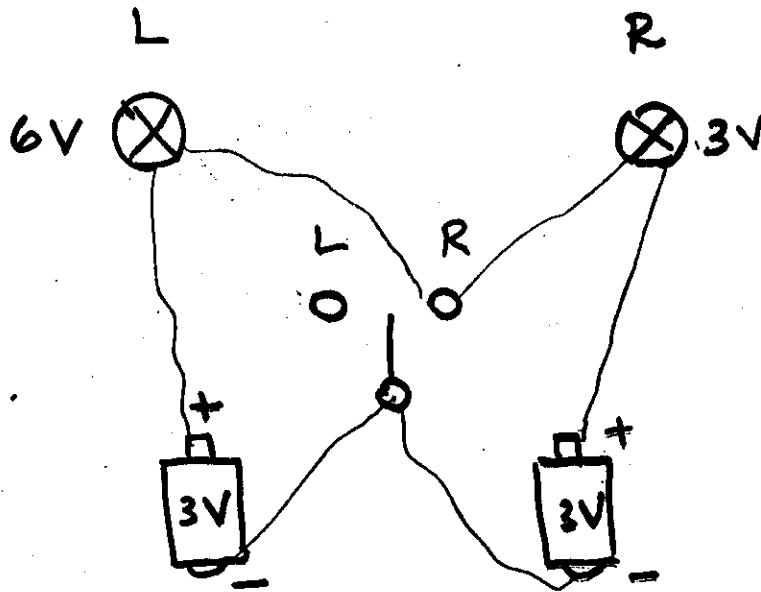
EEC180A

DIGITAL SYSTEMS I

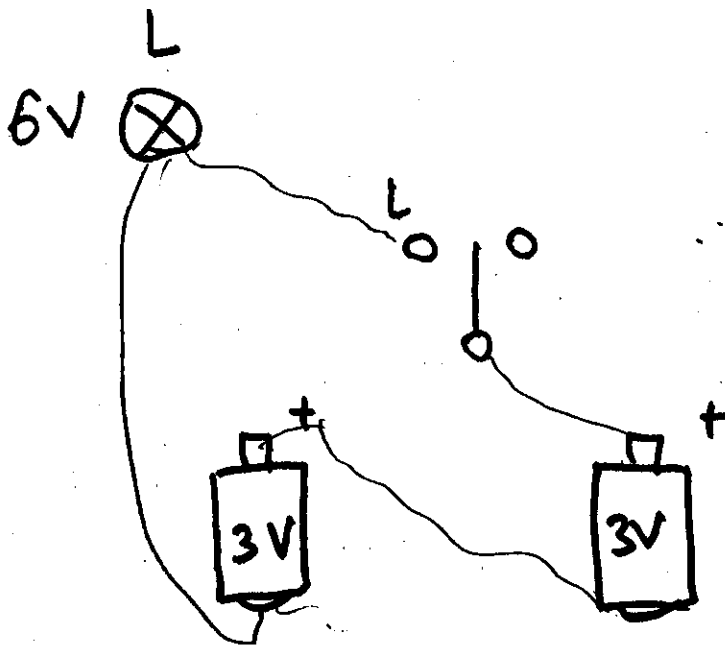
Spring 2000

Prof. Vojin G. Oklobdzija

Problem 1: Complete the wiring diagram for the circuit below. When the switch is in the L position the L light is ON. When the switch is in the R position the R light is ON. Please note that L light bulb requires 6V for its operation while the R bulb requires 3V and it will burn if 6V is applied to it.

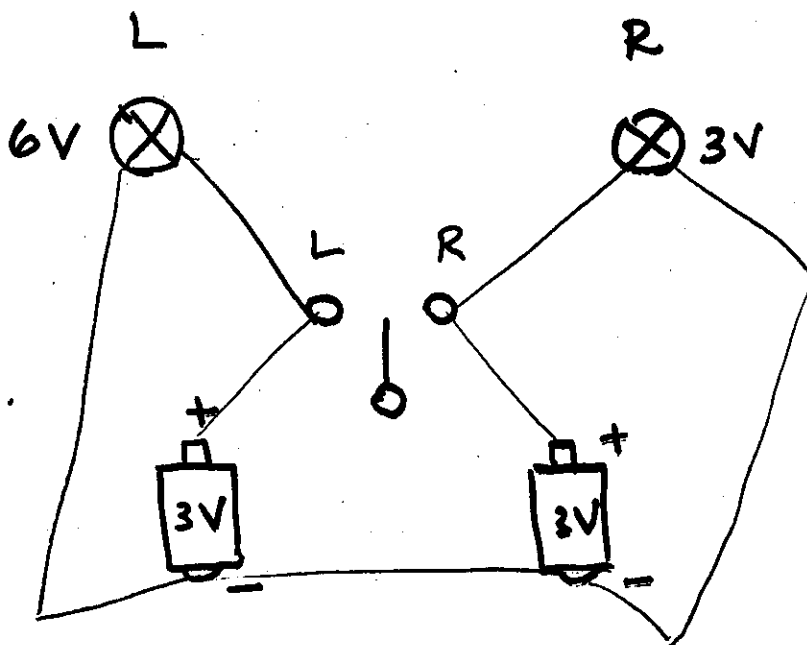


Problem 2: Complete the wiring diagram for the given circuit. When the switch is in the L position the light L should be ON.

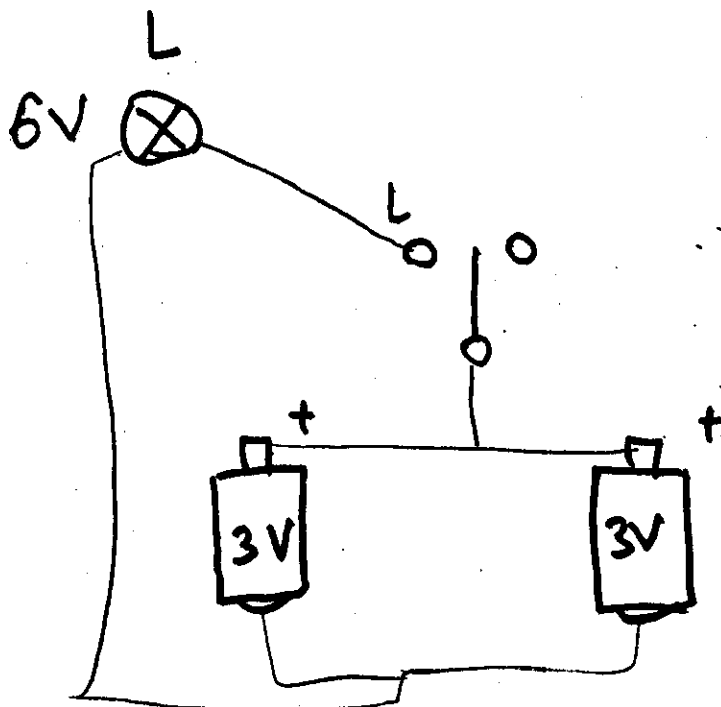


Prof. Vojin G. Oklobdzija

Problem 1: Complete the wiring diagram for the circuit below. When the switch is in the L position the L light is ON. When the switch is in the R position the R light is ON. Please note that L light bulb requires 6V for its operation while the R bulb requires 3V and it will burn if 6V is applied to it.



Problem 2: Complete the wiring diagram for the given circuit. When the switch is in the L position the light L should be ON.



Quiz-2.

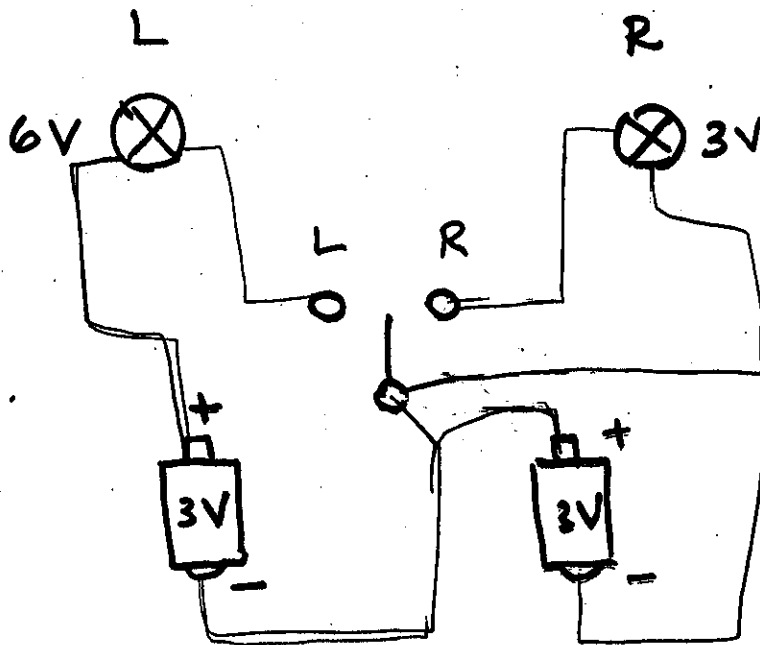
EEC180A

DIGITAL SYSTEMS I

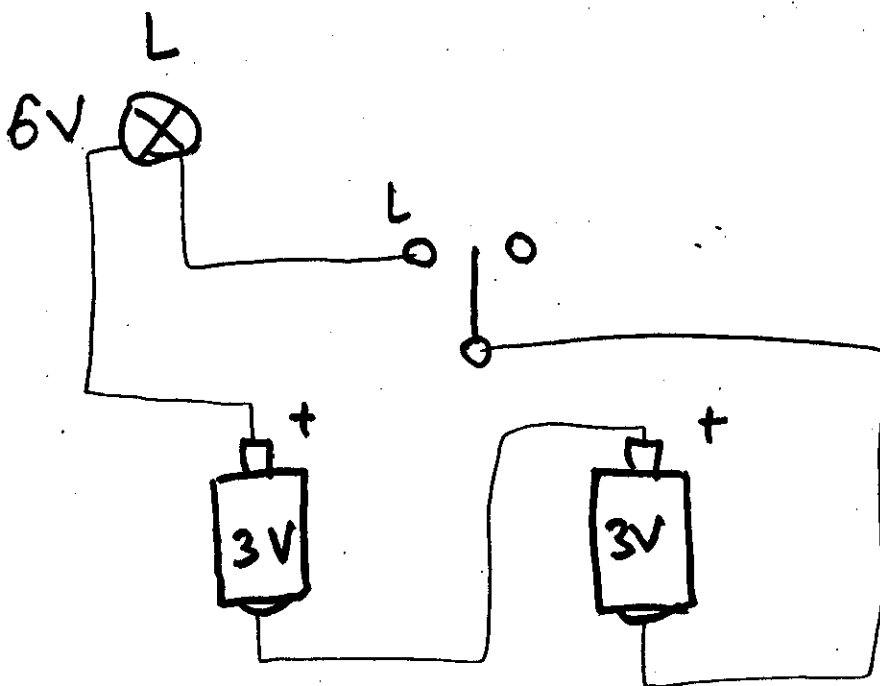
Spring 2000

Prof. Vojin G. Oklobdzija

Problem 1: Complete the wiring diagram for the circuit below. When the switch is in the L position the L light is ON. When the switch is in the R position the R light is ON. Please note that L light bulb requires 6V for its operation while the R bulb requires 3V and it will burn if 6V is applied to it.

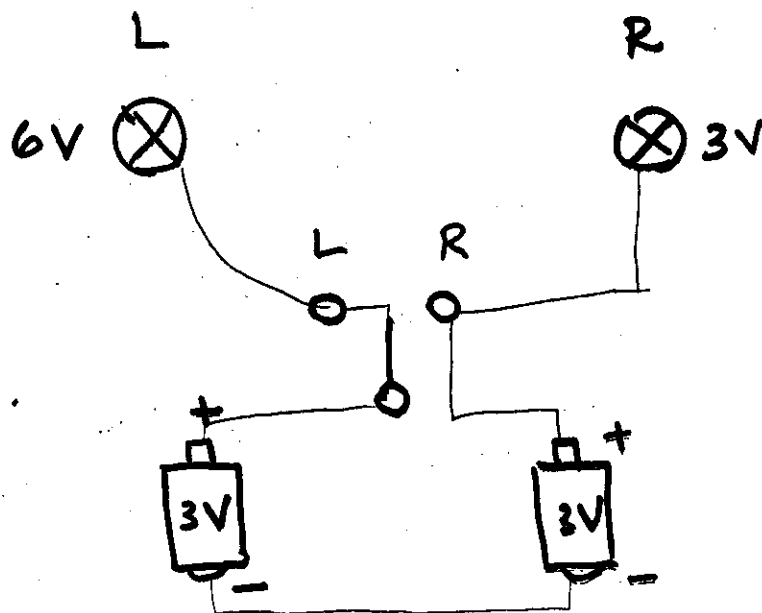


Problem 2: Complete the wiring diagram for the given circuit. When the switch is in the L position the light L should be ON.

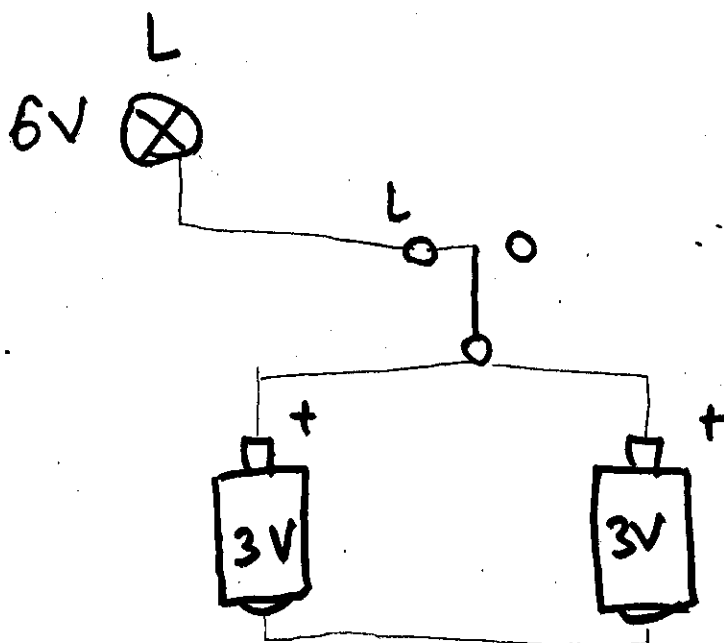


Prof. Vojin G. Oklobdzija

Problem 1: Complete the wiring diagram for the circuit below. When the switch is in the L position the L light is ON. When the switch is in the R position the R light is ON. Please note that L light bulb requires 6V for its operation while the R bulb requires 3V and it will burn if 6V is applied to it.



Problem 2: Complete the wiring diagram for the given circuit. When the switch is in the L position the light L should be ON.



Quiz-2.

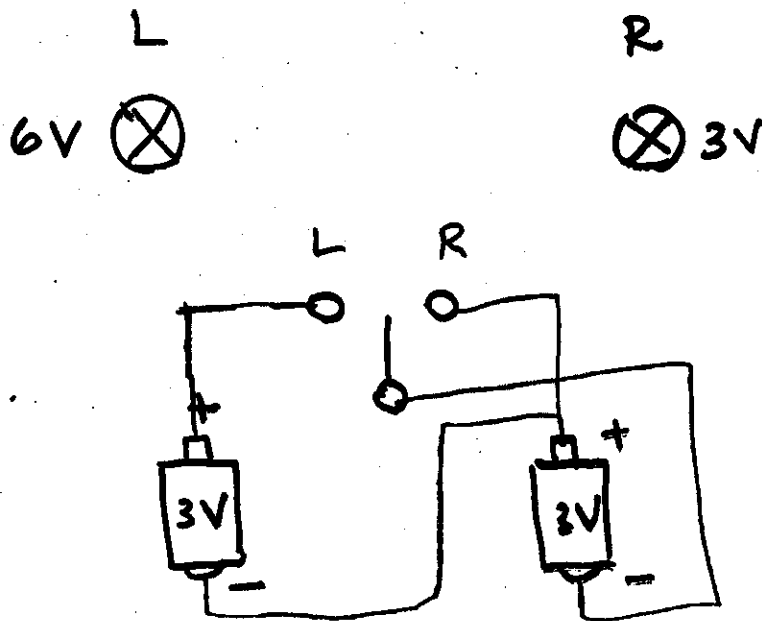
EEC180A

DIGITAL SYSTEMS I

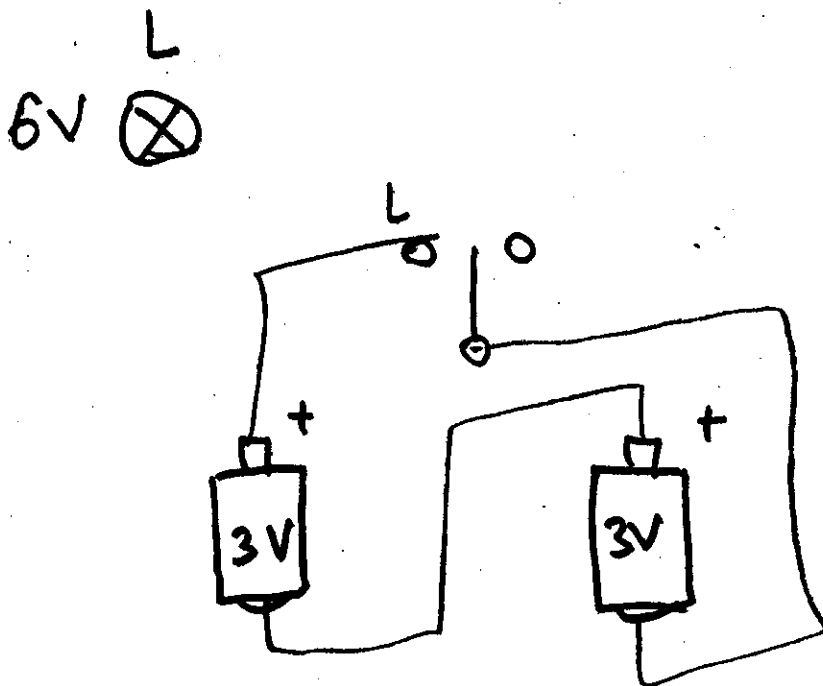
Spring 2000

Prof. Vojin G. Oklobdzija

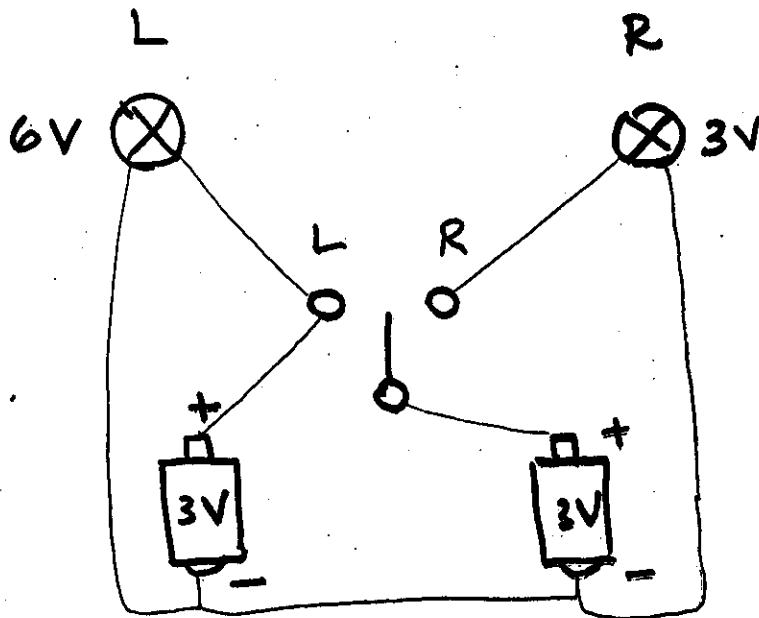
Problem 1: Complete the wiring diagram for the circuit below. When the switch is in the L position the L light is ON. When the switch is in the R position the R light is ON. Please note that L light bulb requires 6V for its operation while the R bulb requires 3V and it will burn if 6V is applied to it.



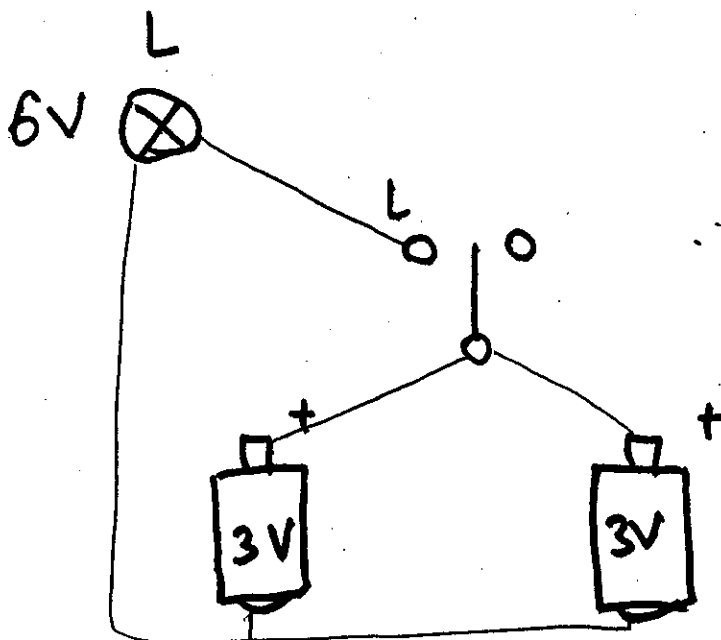
Problem 2: Complete the wiring diagram for the given circuit. When the switch is in the L position the light L should be ON.



Problem 1: Complete the wiring diagram for the circuit bellow. When the switch is in the L position the L light is ON. When the switch is in the R position the R light is ON. Please note that L light bulb requires 6V for its operation while the R bulb requires 3V and it will burn if 6V is applied to it.

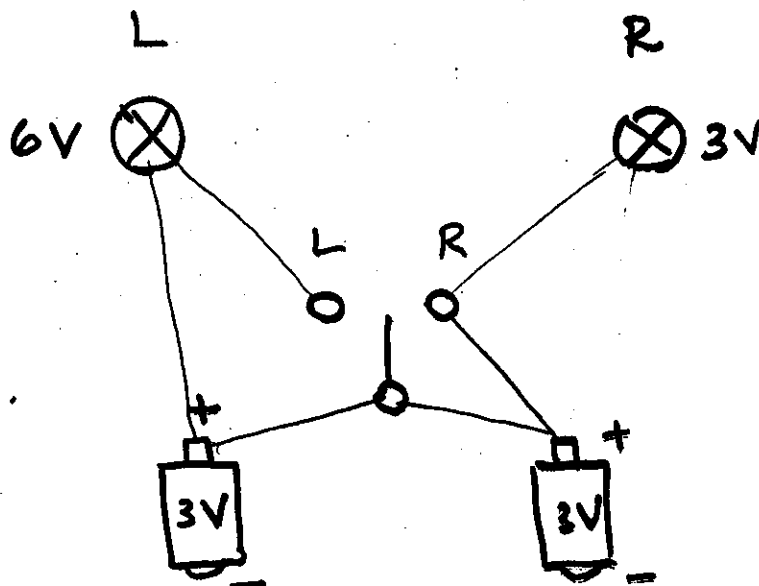


Problem 2: Complete the wiring diagram for the given circuit. When the switch is in the L position the light L should be ON.

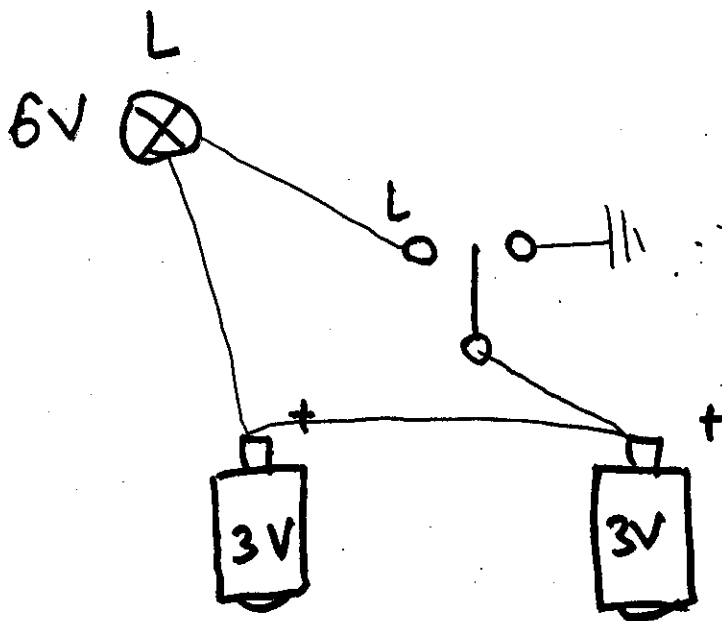


Prof. Vojin G. Oklobdzija

Problem 1: Complete the wiring diagram for the circuit below. When the switch is in the L position the L light is ON. When the switch is in the R position the R light is ON. Please note that L light bulb requires 6V for its operation while the R bulb requires 3V and it will burn if 6V is applied to it.



Problem 2: Complete the wiring diagram for the given circuit. When the switch is in the L position the light L should be ON.



Quiz - 2.

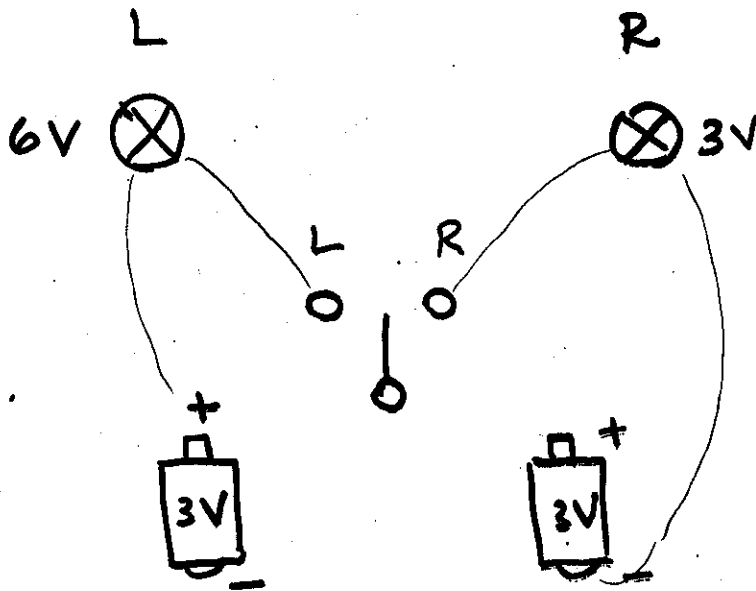
EEC180A

DIGITAL SYSTEMS I

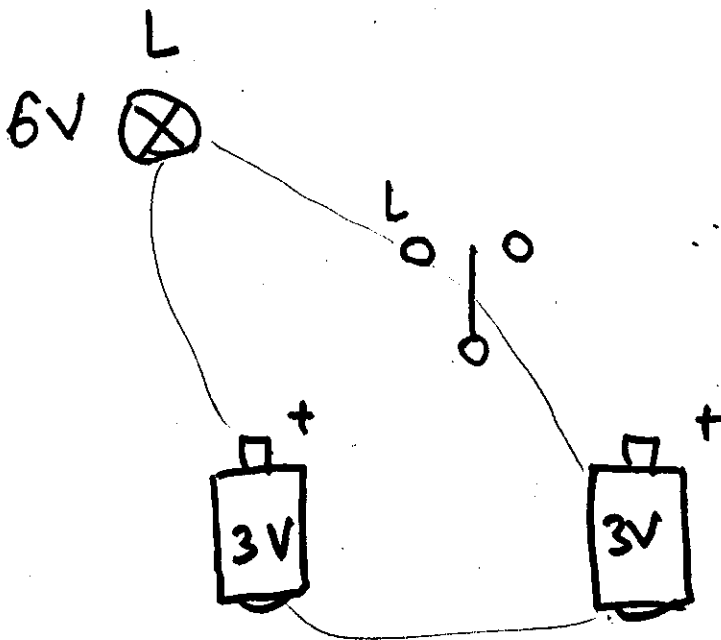
Spring 2000

Prof. Vojin G. Oklobdzija

Problem 1: Complete the wiring diagram for the circuit below. When the switch is in the L position the L light is ON. When the switch is in the R position the R light is ON. Please note that L light bulb requires 6V for its operation while the R bulb requires 3V and it will burn if 6V is applied to it.

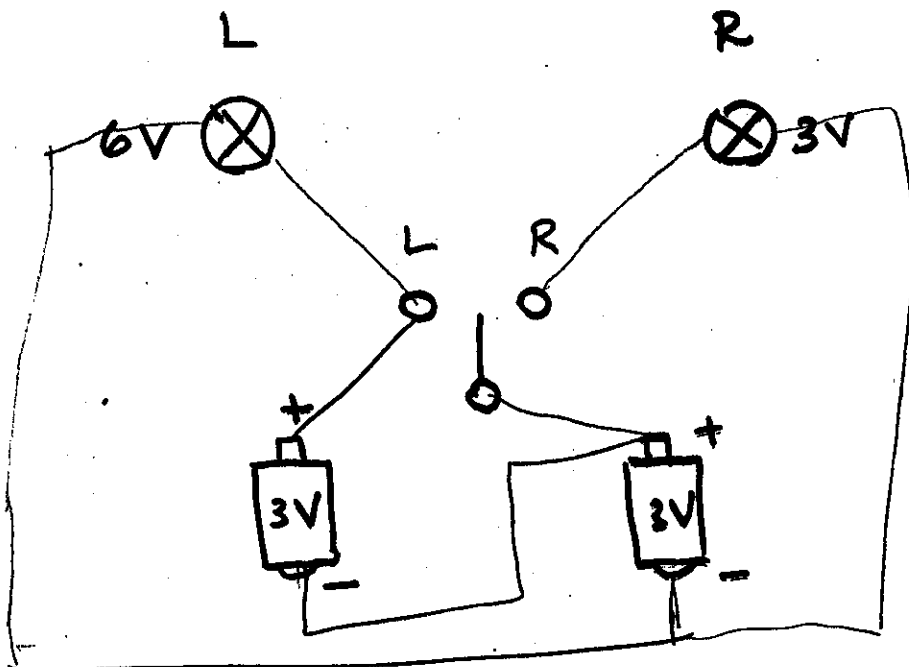


Problem 2: Complete the wiring diagram for the given circuit. When the switch is in the L position the light L should be ON.

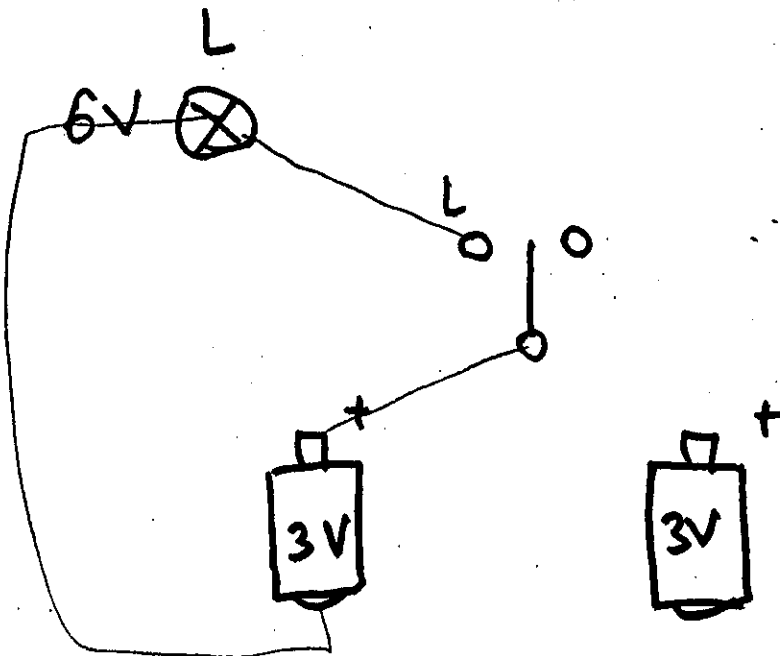


Prof. Vojin G. Oklobdzija

Problem 1: Complete the wiring diagram for the circuit below. When the switch is in the L position the L light is ON. When the switch is in the R position the R light is ON. Please note that L light bulb requires 6V for its operation while the R bulb requires 3V and it will burn if 6V is applied to it.

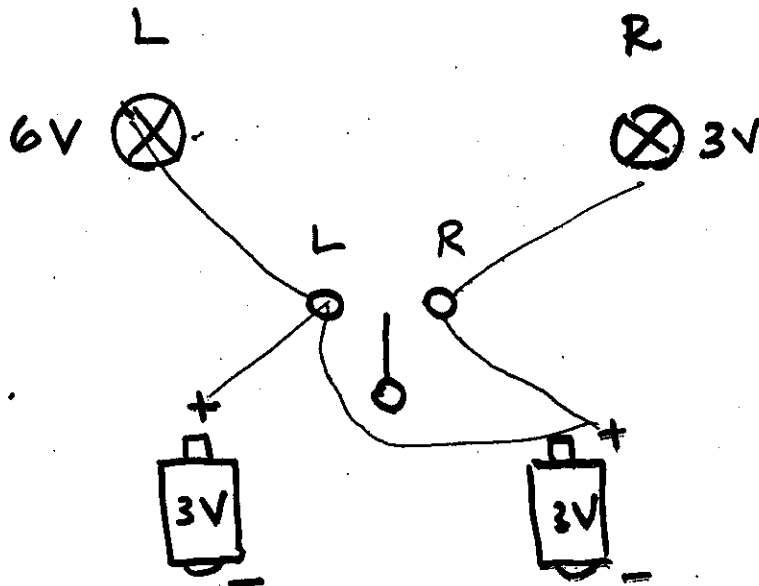


Problem 2: Complete the wiring diagram for the given circuit. When the switch is in the L position the light L should be ON.

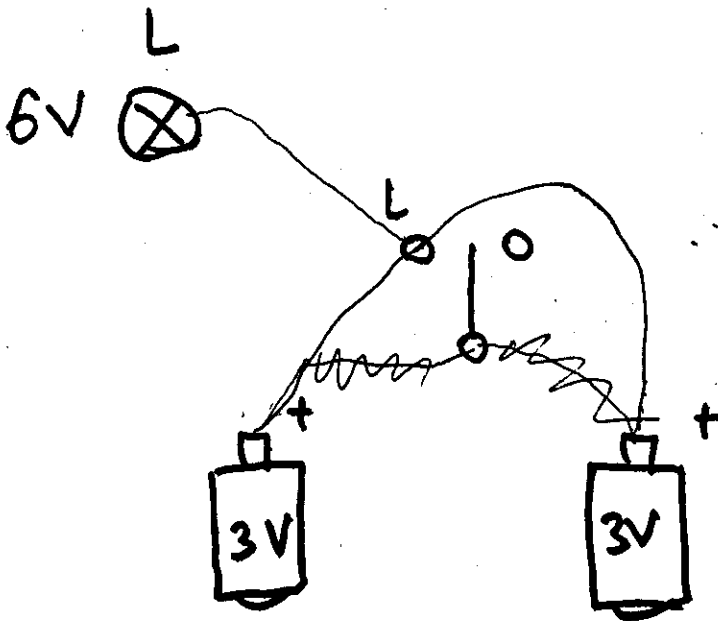


Prof. Vojin G. Oklobdzija

Problem 1: Complete the wiring diagram for the circuit bellow. When the switch is in the L position the L light is ON. When the switch is in the R position the R light is ON. Please note that L light bulb requires 6V for its operation while the R bulb requires 3V and it will burn if 6V is applied to it.



Problem 2: Complete the wiring diagram for the given circuit. When the switch is in the L position the light L should be ON.



Quiz - 2.

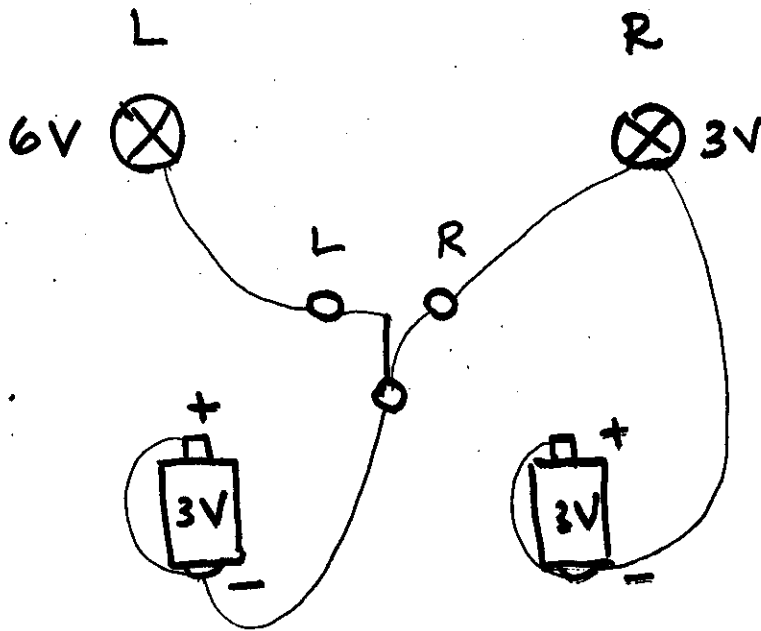
EEC180A

DIGITAL SYSTEMS I

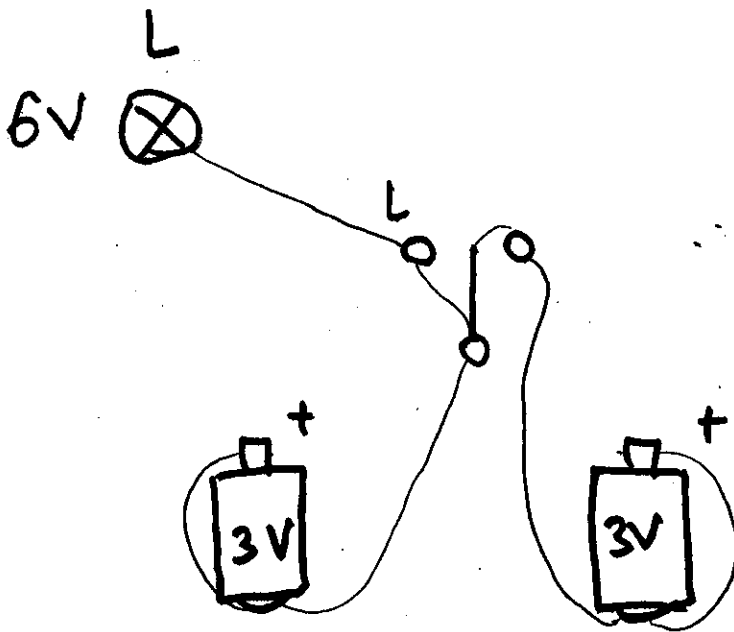
Spring 2000

Prof. Vojin G. Oklobdzija

Problem 1: Complete the wiring diagram for the circuit below. When the switch is in the L position the L light is ON. When the switch is in the R position the R light is ON. Please note that L light bulb requires 6V for its operation while the R bulb requires 3V and it will burn if 6V is applied to it.



Problem 2: Complete the wiring diagram for the given circuit. When the switch is in the L position the light L should be ON.



Quiz-2.

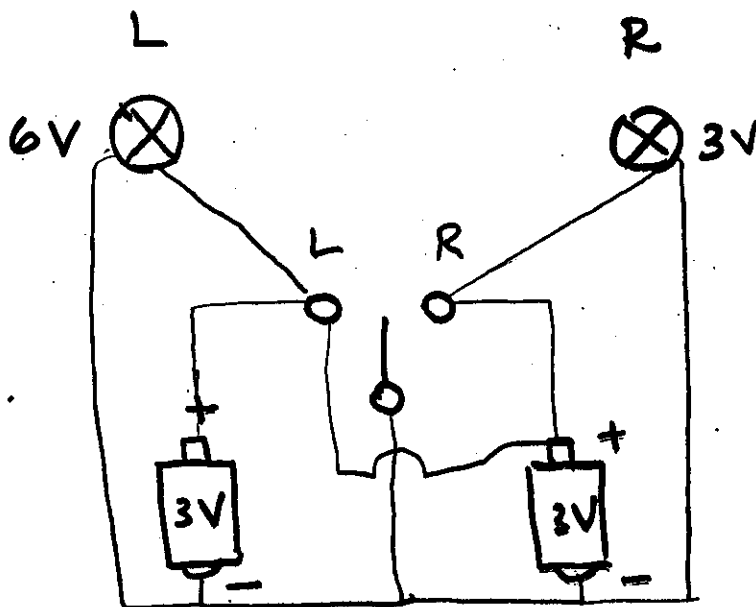
EEC180A

DIGITAL SYSTEMS I

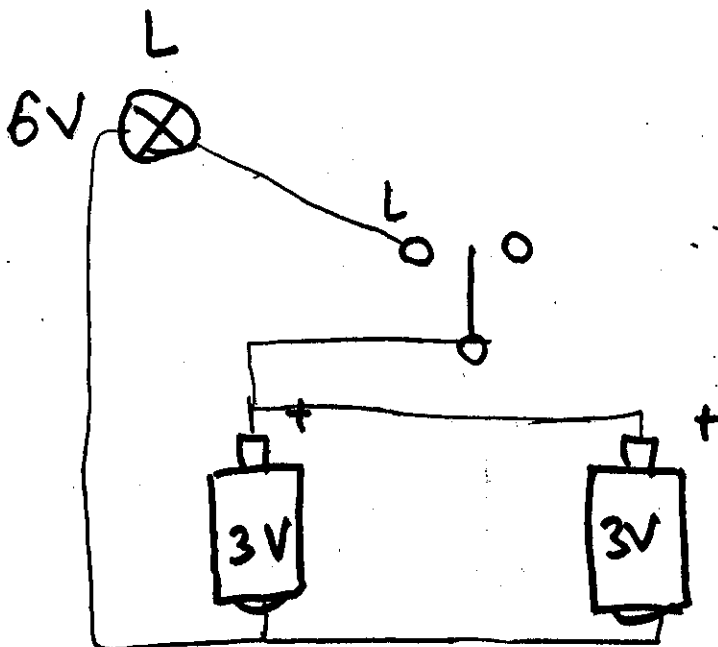
Spring 2000

Prof. Vojin G. Oklobdzija

Problem 1: Complete the wiring diagram for the circuit bellow. When the switch is in the L position the L light is ON. When the switch is in the R position the R light is ON. Please note that L light bulb requires 6V for its operation while the R bulb requires 3V and it will burn if 6V is applied to it.

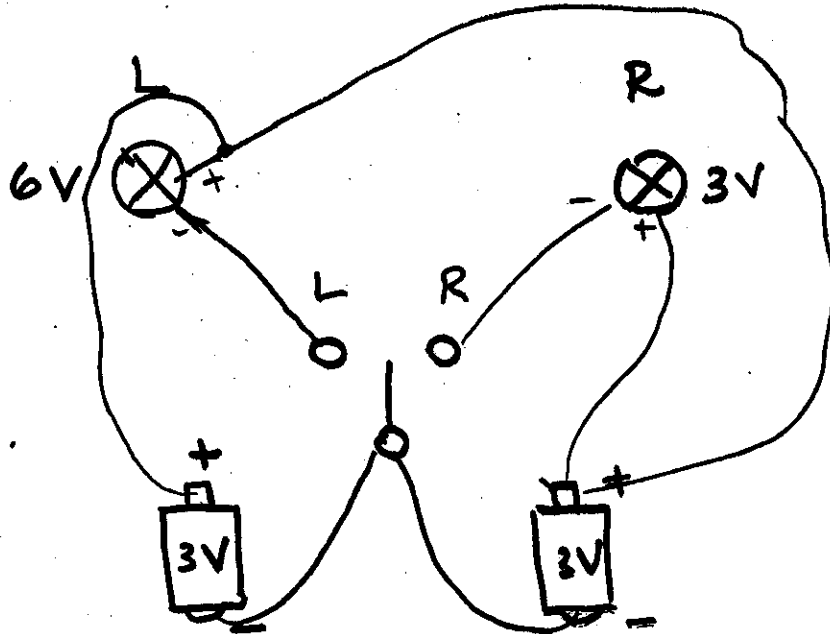


Problem 2: Complete the wiring diagram for the given circuit. When the switch is in the L position the light L should be ON.

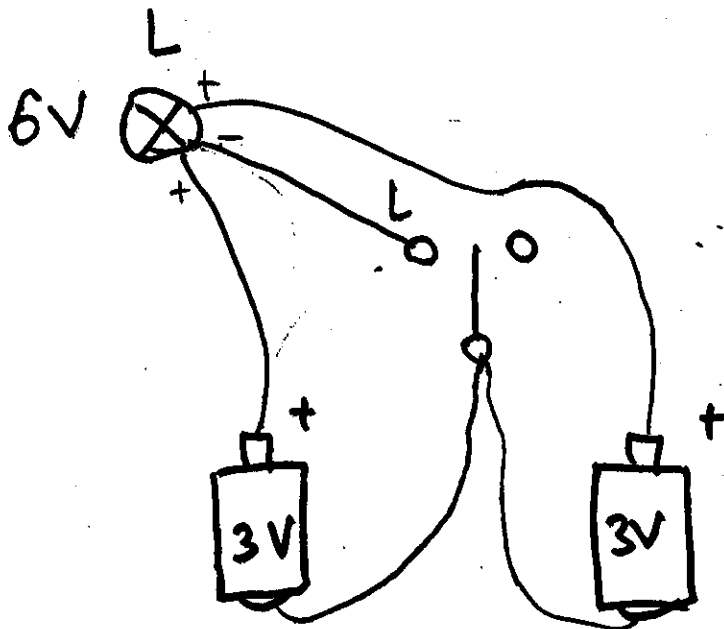


Prof. Vojin G. Oklobdzija

Problem 1: Complete the wiring diagram for the circuit bellow. When the switch is in the L position the L light is ON. When the switch is in the R position the R light is ON. Please note that L light bulb requires 6V for its operation while the R bulb requires 3V and it will burn if 6V is applied to it.

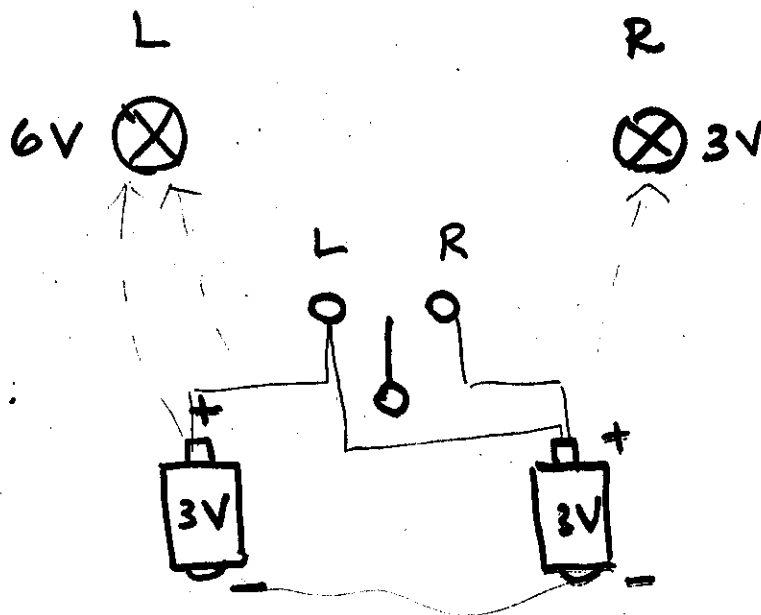


Problem 2: Complete the wiring diagram for the given circuit. When the switch is in the L position the light L should be ON.

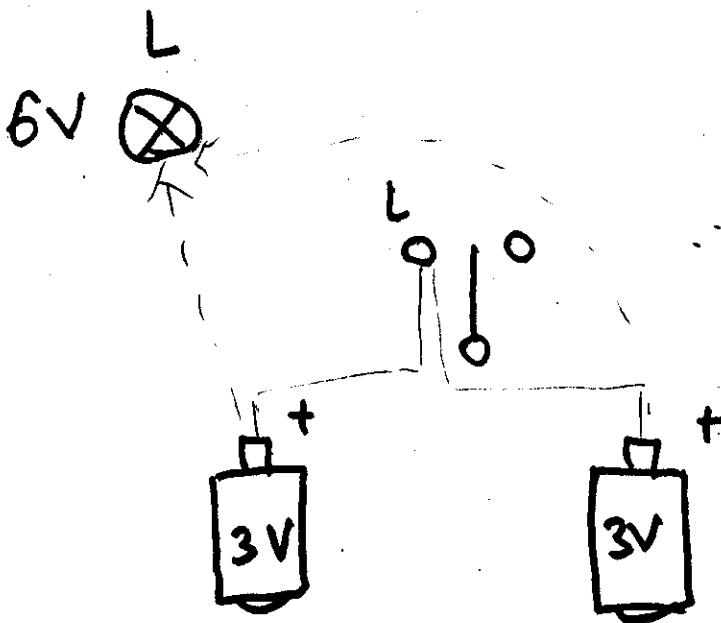


Prof. Vojin G. Oklobdzija

Problem 1: Complete the wiring diagram for the circuit bellow. When the switch is in the L position the L light is ON. When the switch is in the R position the R light is ON. Please note that L light bulb requires 6V for its operation while the R bulb requires 3V and it will burn if 6V is applied to it.

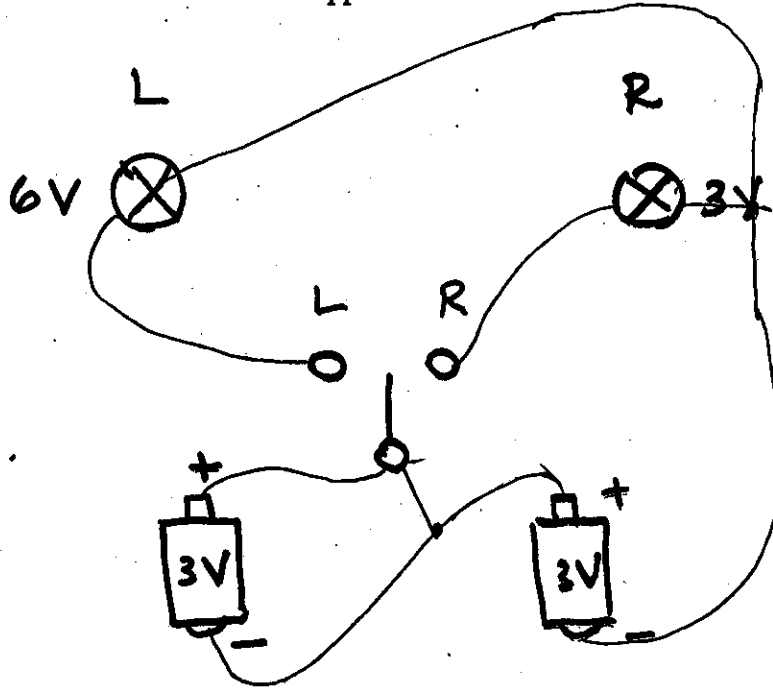


Problem 2: Complete the wiring diagram for the given circuit. When the switch is in the L position the light L should be ON.

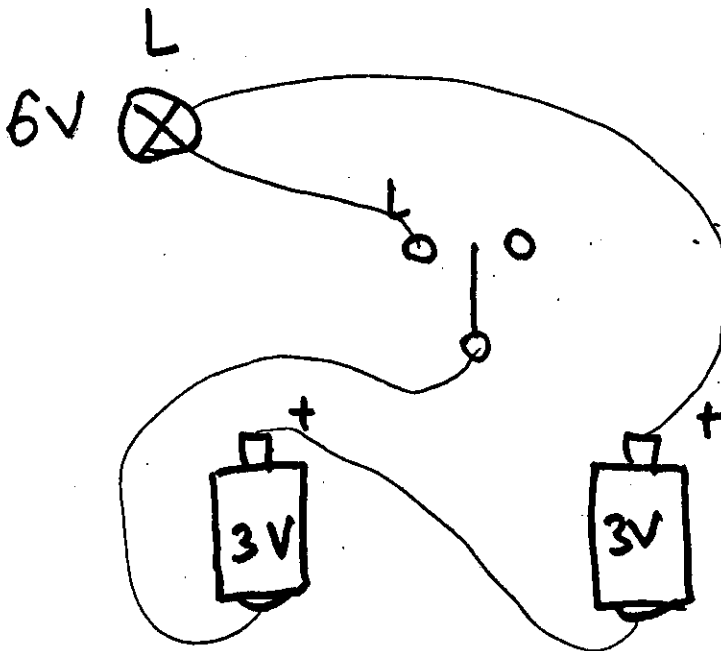


Prof. Vojin G. Oklobdzija

Problem 1: Complete the wiring diagram for the circuit below. When the switch is in the L position the L light is ON. When the switch is in the R position the R light is ON. Please note that L light bulb requires 6V for its operation while the R bulb requires 3V and it will burn if 6V is applied to it.

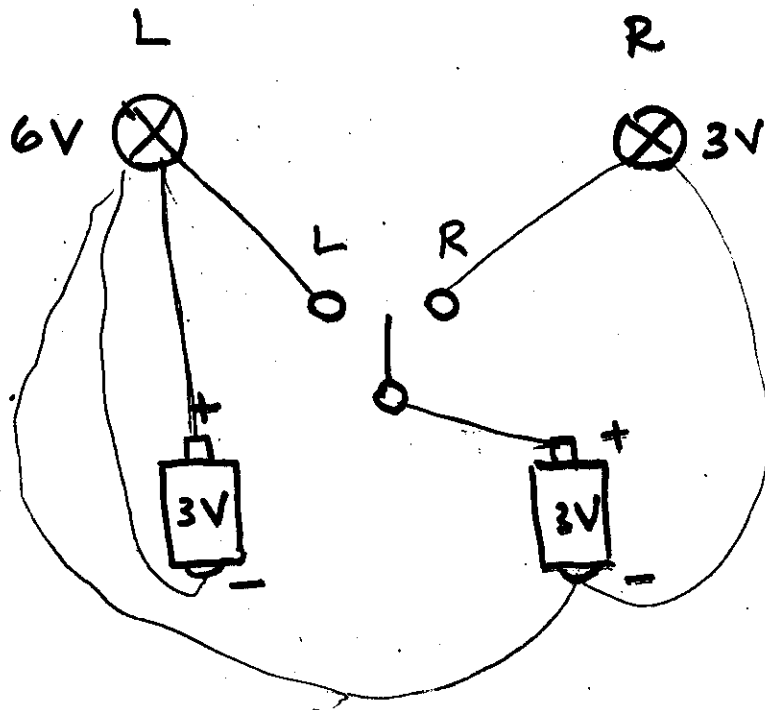


Problem 2: Complete the wiring diagram for the given circuit. When the switch is in the L position the light L should be ON.

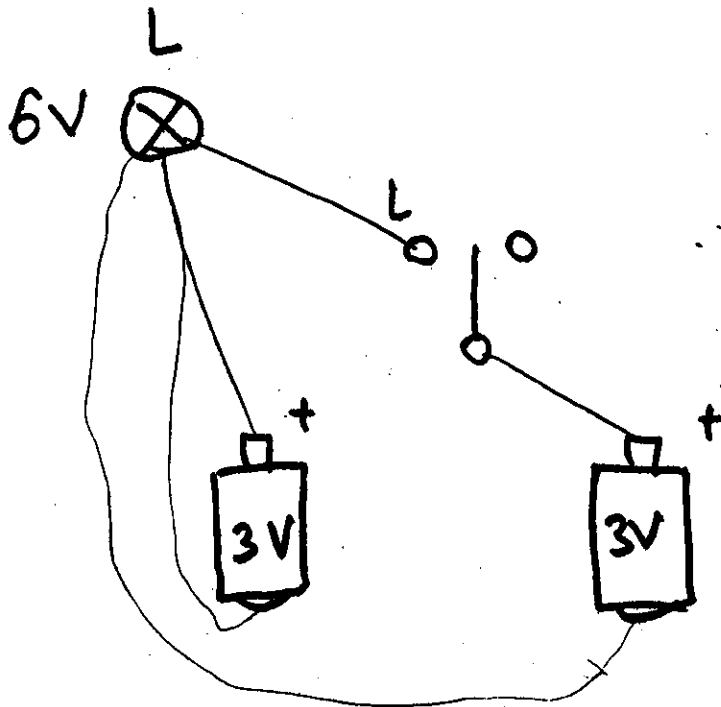


Prof. Vojin G. Oklobdzija

Problem 1: Complete the wiring diagram for the circuit below. When the switch is in the L position the L light is ON. When the switch is in the R position the R light is ON. Please note that L light bulb requires 6V for its operation while the R bulb requires 3V and it will burn if 6V is applied to it.



Problem 2: Complete the wiring diagram for the given circuit. When the switch is in the L position the light L should be ON.



Quiz - 2.

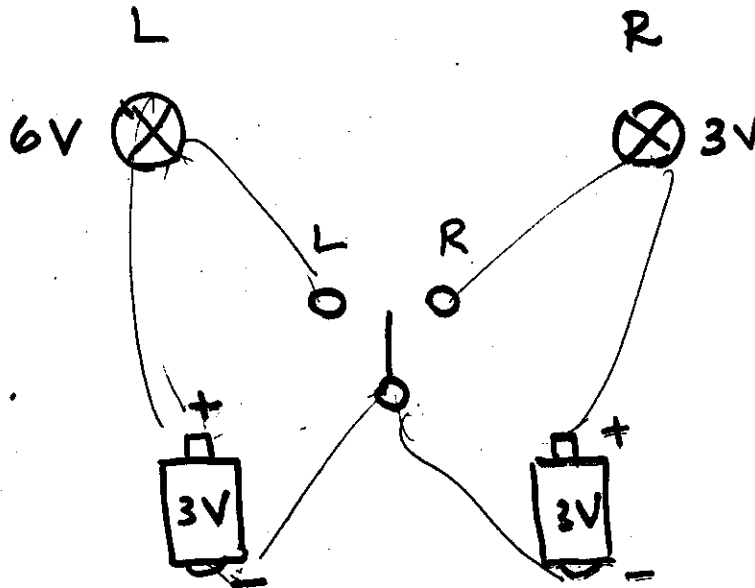
EEEC180A

DIGITAL SYSTEMS I

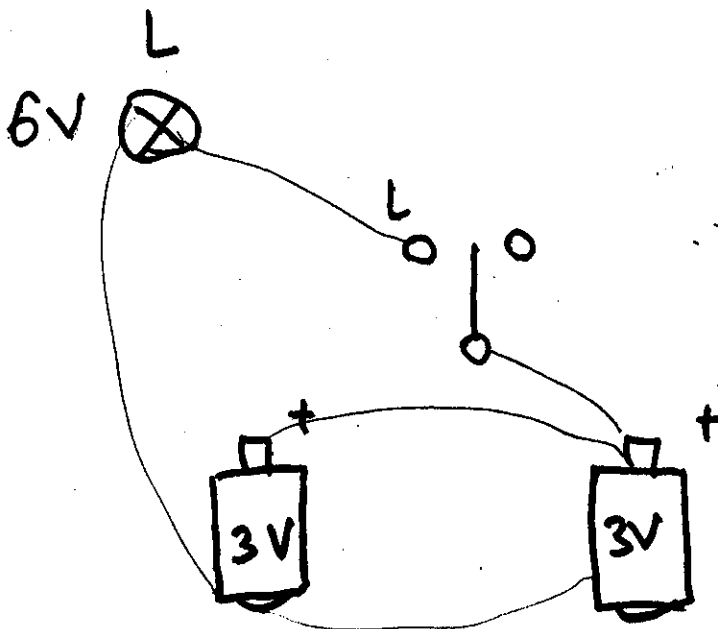
Spring 2000

Prof. Vojin G. Oklobdzija

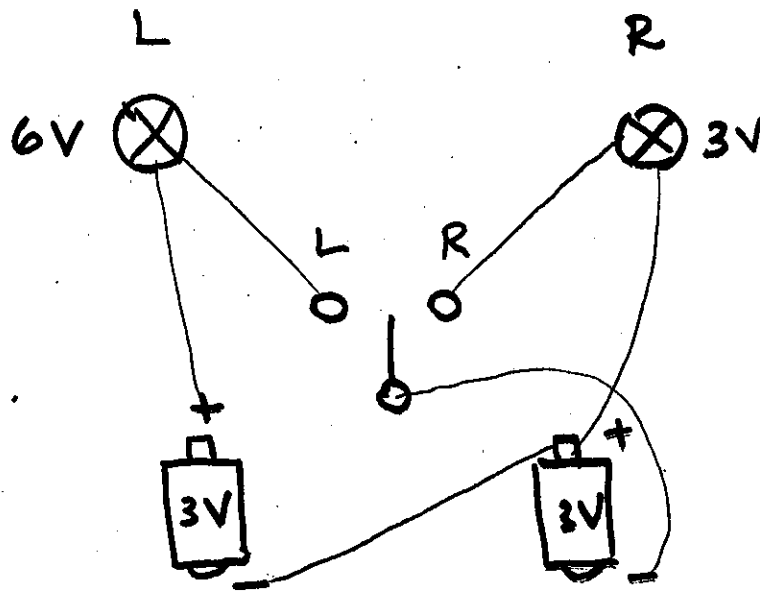
Problem 1: Complete the wiring diagram for the circuit below. When the switch is in the L position the L light is ON. When the switch is in the R position the R light is ON. Please note that L light bulb requires 6V for its operation while the R bulb requires 3V and it will burn if 6V is applied to it.



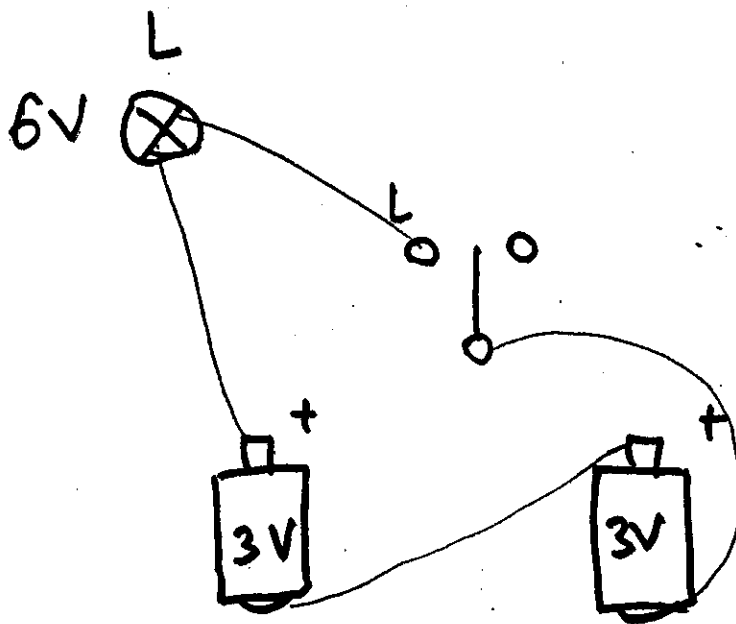
Problem 2: Complete the wiring diagram for the given circuit. When the switch is in the L position the light L should be ON.



Problem 1: Complete the wiring diagram for the circuit below. When the switch is in the L position the L light is ON. When the switch is in the R position the R light is ON. Please note that L light bulb requires 6V for its operation while the R bulb requires 3V and it will burn if 6V is applied to it.

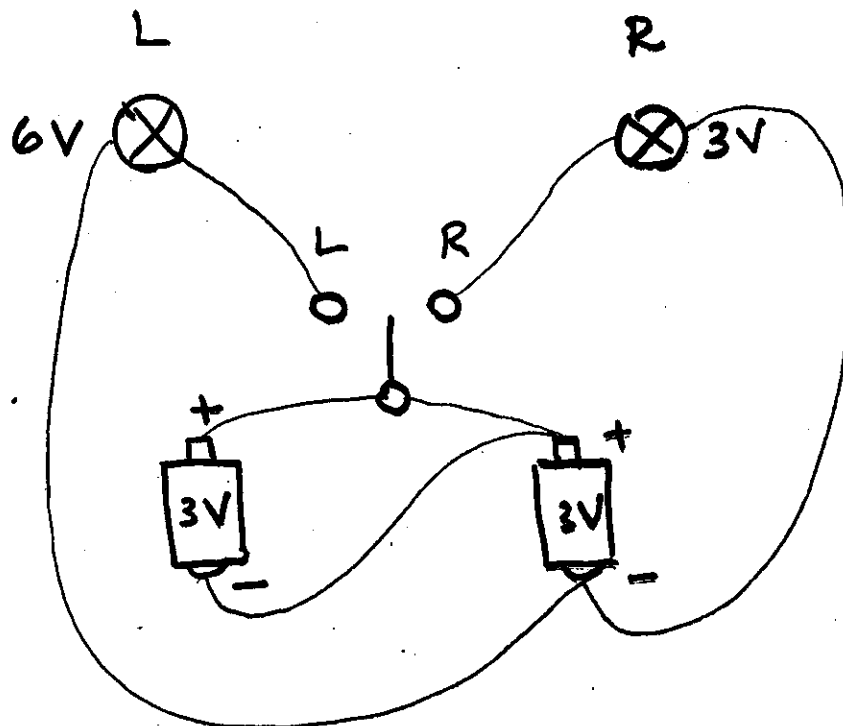


Problem 2: Complete the wiring diagram for the given circuit. When the switch is in the L position the light L should be ON.

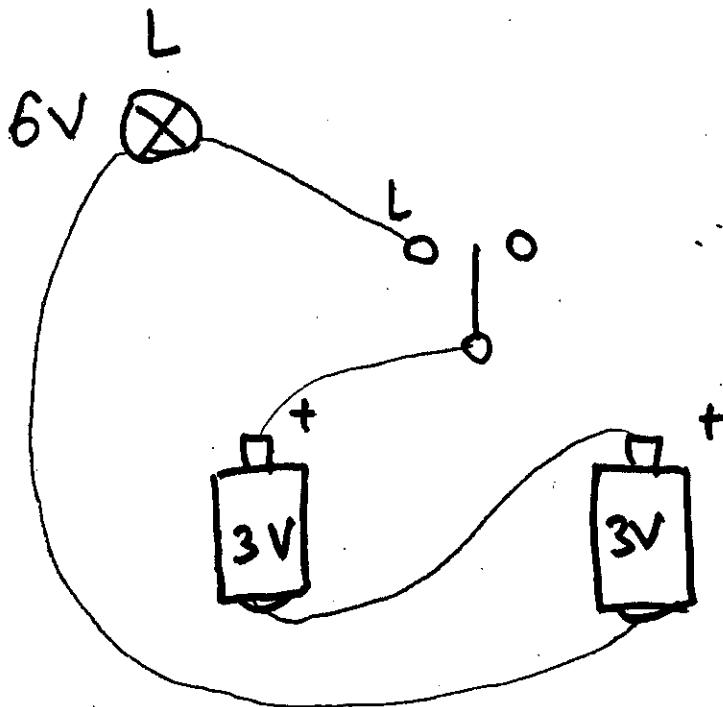


Prof. Vojin G. Oklobdzija

Problem 1: Complete the wiring diagram for the circuit below. When the switch is in the L position the L light is ON. When the switch is in the R position the R light is ON. Please note that L light bulb requires 6V for its operation while the R bulb requires 3V and it will burn if 6V is applied to it.



Problem 2: Complete the wiring diagram for the given circuit. When the switch is in the L position the light L should be ON.



Quiz-2.

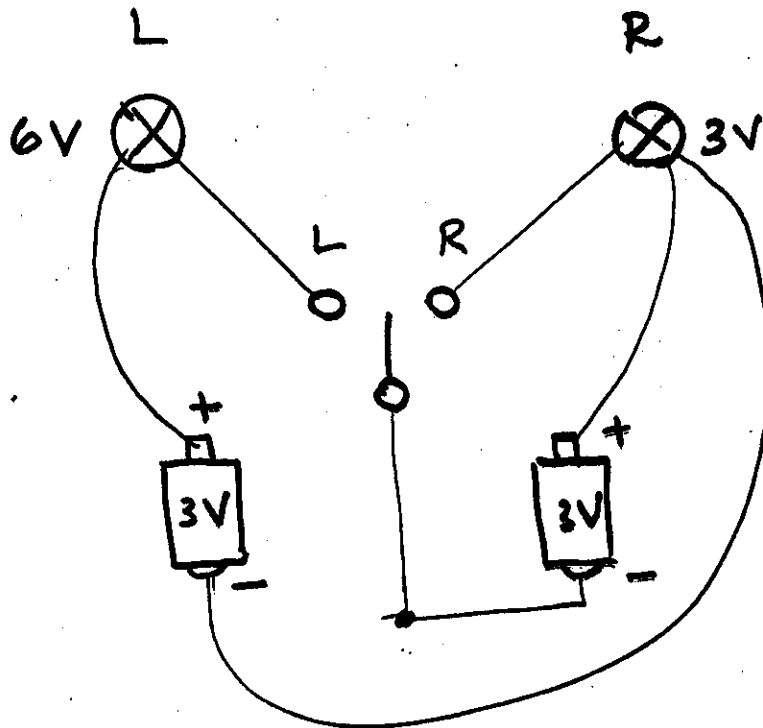
EEC180A

DIGITAL SYSTEMS I

Spring 2000

Prof. Vojin G. Oklobdzija

Problem 1: Complete the wiring diagram for the circuit bellow. When the switch is in the L position the L light is ON. When the switch is in the R position the R light is ON. Please note that L light bulb requires 6V for its operation while the R bulb requires 3V and it will burn if 6V is applied to it.



Problem 2: Complete the wiring diagram for the given circuit. When the switch is in the L position the light L should be ON.

