

Quiz - 2.

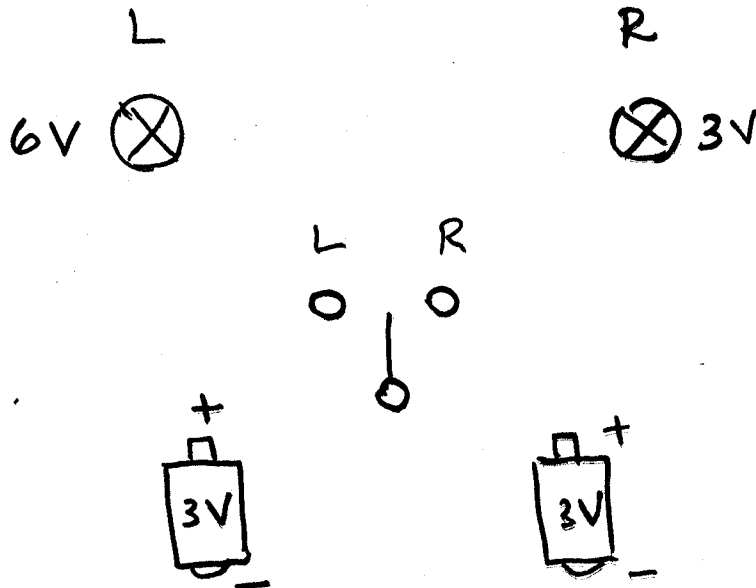
EEEC180A

DIGITAL SYSTEMS I

Spring 2000

Prof. Vojin G. Oklobdzija

Problem 1: Complete the wiring diagram for the circuit below. When the switch is in the L position the L light is ON. When the switch is in the R position the R light is ON. Please note that L light bulb requires 6V for its operation while the R bulb requires 3V and it will burn if 6V is applied to it.



Problem 2: Complete the wiring diagram for the given circuit. When the switch is in the L position the light L should be ON.

