

Your Name: KEY

Problem #1:

Write decimal number 38 in:

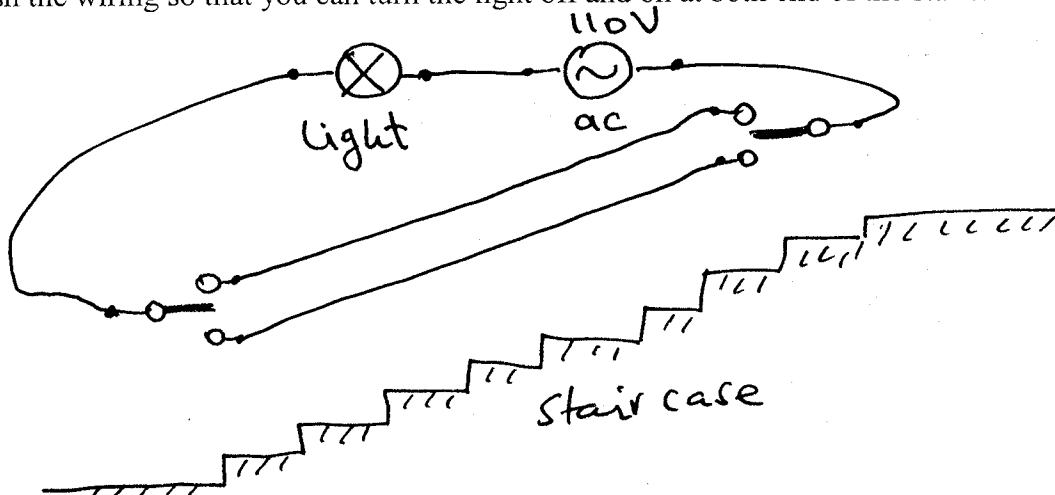
(a.) binary: 0010 0110

(b.) hexadecimal: 26

(c.) octal: 46

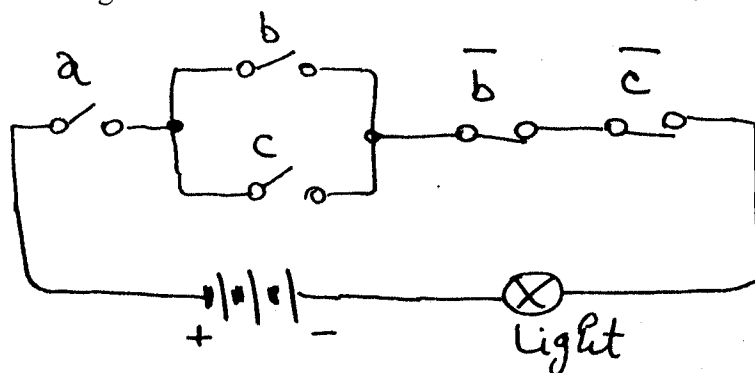
Problem #2:

Given are the light bulb, two double-throw switches and power source.
Finish the wiring so that you can turn the light off and on at both end of the stairs:



Problem #3:

When is the light ON in the circuit shown? Note when $a=1$ (closed) $\bar{a}=0$ (open).



NEVER