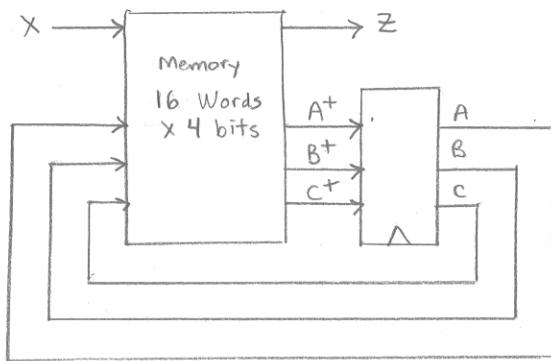


16.4 Sequential Circuits Using ROM's and PLA's

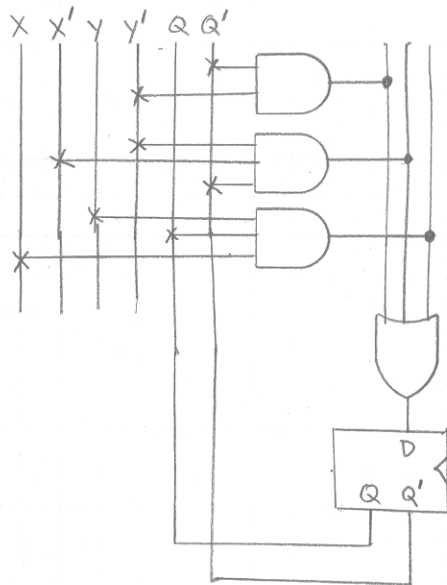
One can use a ROM (or Programmable ROM or a RAM) to implement FSM logic by storing the truth table directly:



- Usually more area than gate implementation.
- More flexible (next state and output equations easy to change, especially with PROM / RAM)

PLA Implementation

Feed back the flip-flop outputs into the PLA inputs to implement next state logic



22-141 50 SHEETS  
22-142 100 SHEETS  
22-144 200 SHEETS

