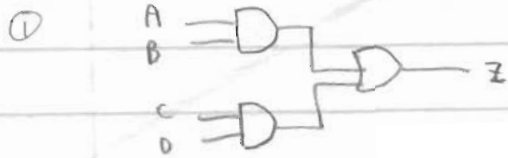
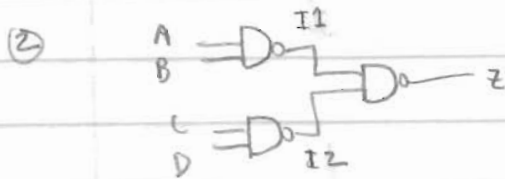


Lab circuit schematics

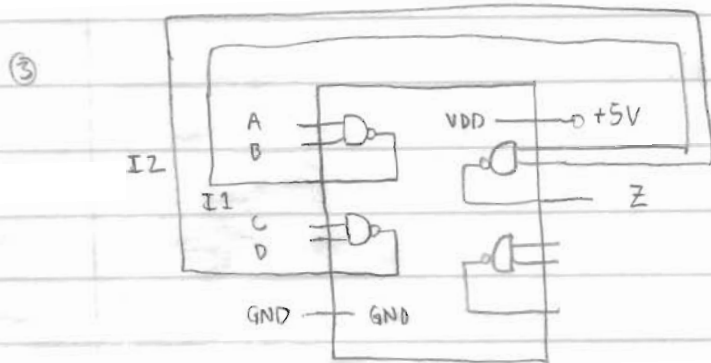
Draw all three versions



Simplest form



Using final gates



Physical circuit using chips

Circuit tip

Share terms (intermediate signals) to save hardware

Ex: $X = AB + \bar{C}D$

$Y = AB + C\bar{D}$

